

# **PARTS LIST**

**WESTERBEKE**

**71C Four**

**Marine Diesel Engine**

**20.0 BEDA - 60 Hz**

**16.0 BEDA - 50 Hz**

**Marine Diesel Generators**

Publication #042000

Edition One

November 1996



# **PARTS LIST**

**WESTERBEKE**

**71C Four**

**Marine Diesel Engine**

**20.0 BEDA - 60 Hz**

**16.0 BEDA - 50 Hz**

**Marine Diesel Generators**

Publication #042000

Edition One

November 1996



## **IMPORTANT**

### **PRODUCT SOFTWARE DISCLAIMER**

Product software of all kinds such as brochures, drawings, technical data, operator's and workshop manuals, parts lists and parts price lists, and other information, instructions and specifications provided from sources other than Westerbeke, is not within Westerbeke's control and, accordingly, is provided to Westerbeke customers only as a courtesy and service. **Westerbeke cannot be responsible for the content of such software, makes no warranties or representations with respect thereto, including the accuracy, timeliness or completeness thereof, and will in no event be liable for any type of damages or injury incurred in connection with, or arising out of, the furnishing or use of such software.**

For example, components and subassemblies incorporated in Westerbeke's products and supplied by others (such as engine blocks, fuel systems and components, transmissions, electrical components, pumps and other products) are generally supported by their manufacturers with their own software, and Westerbeke must depend on such software for the design of Westerbeke's own product software. Such software may be outdated and no longer accurate. Routine changes made by Westerbeke's suppliers, of which Westerbeke rarely has notice in advance, are frequently not reflected in the supplier's software until after such changes take place.

Westerbeke customers should also keep in mind the time span between printings of Westerbeke product software, and the unavoidable existence of earlier, non-current Westerbeke software editions in the field. Additionally, most Westerbeke products include customer-requested special features that frequently do not include complete documentation.

In summation, product software provided with Westerbeke products, whether from Westerbeke or other suppliers, must not and cannot be relied upon exclusively as the definitive authority on the respective product. It not only makes good sense but is imperative that appropriate representatives of Westerbeke or the supplier in question be consulted to determine the accuracy and currency of the product software being consulted by the customer.

71C FOUR PROPULSION ENGINE

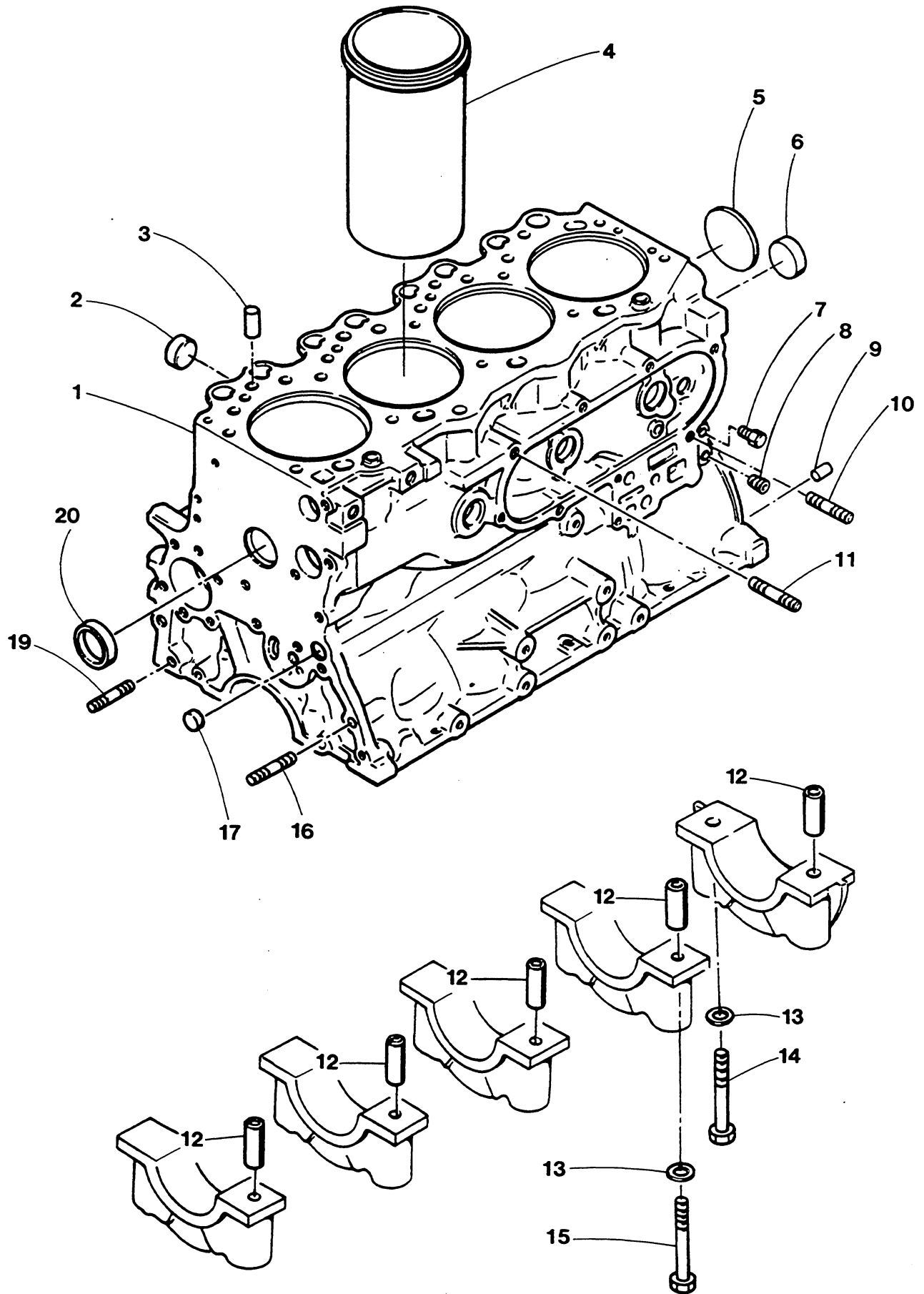
20.0 BEDA GENERATOR - 60 HERTZ

16.0 BEDA GENERATOR - 50 HERTZ

TABLE OF CONTENTS

PAGE	DESCRIPTION
100	CYLINDER BLOCK
102	CYLINDER HEAD - ROCKER COVER
104	CRANKSHAFT - PISTONS
106	VALVES - ROCKER SHAFT - CAMSHAFT
108	TIMING GEAR COVER
110	LUBE OIL SUMP
112	INTAKE MANIFOLD
114	LUBE OIL FILTER AND PUMP
116	FRESH WATER COOLING SYSTEM - FRONT
118	COOLING SYSTEM - REAR
120	FRONT OPENING EXHAUST MANIFOLD
122	SEA WATER SYSTEM AND ALTERNATOR
126	SEA WATER PUMP
128	FRESH WATER PUMP
130	FUEL SYSTEM
136	PROPULSION BACK END - MOUNTING SYSTEM
138	MODEL HBW 250 TRANSMISSION
140	WARNER HYDRAULIC TRANSMISSION
142	GENSET MOUNTING SYSTEM
144	GENSET BACK END - GENERATOR
148	GENSET AC OUTPUT AND REGULATOR
150	GENSET ELECTRONIC GOVERNOR ACTUATOR
152	GENSET BELT GUARD
154	ELECTRICAL SYSTEM
158	PROPULSION INSTRUMENT PANELS
160	GENSET CONTROL PANEL
162	GENSET SOUND GUARD
164	MISCELLANEOUS

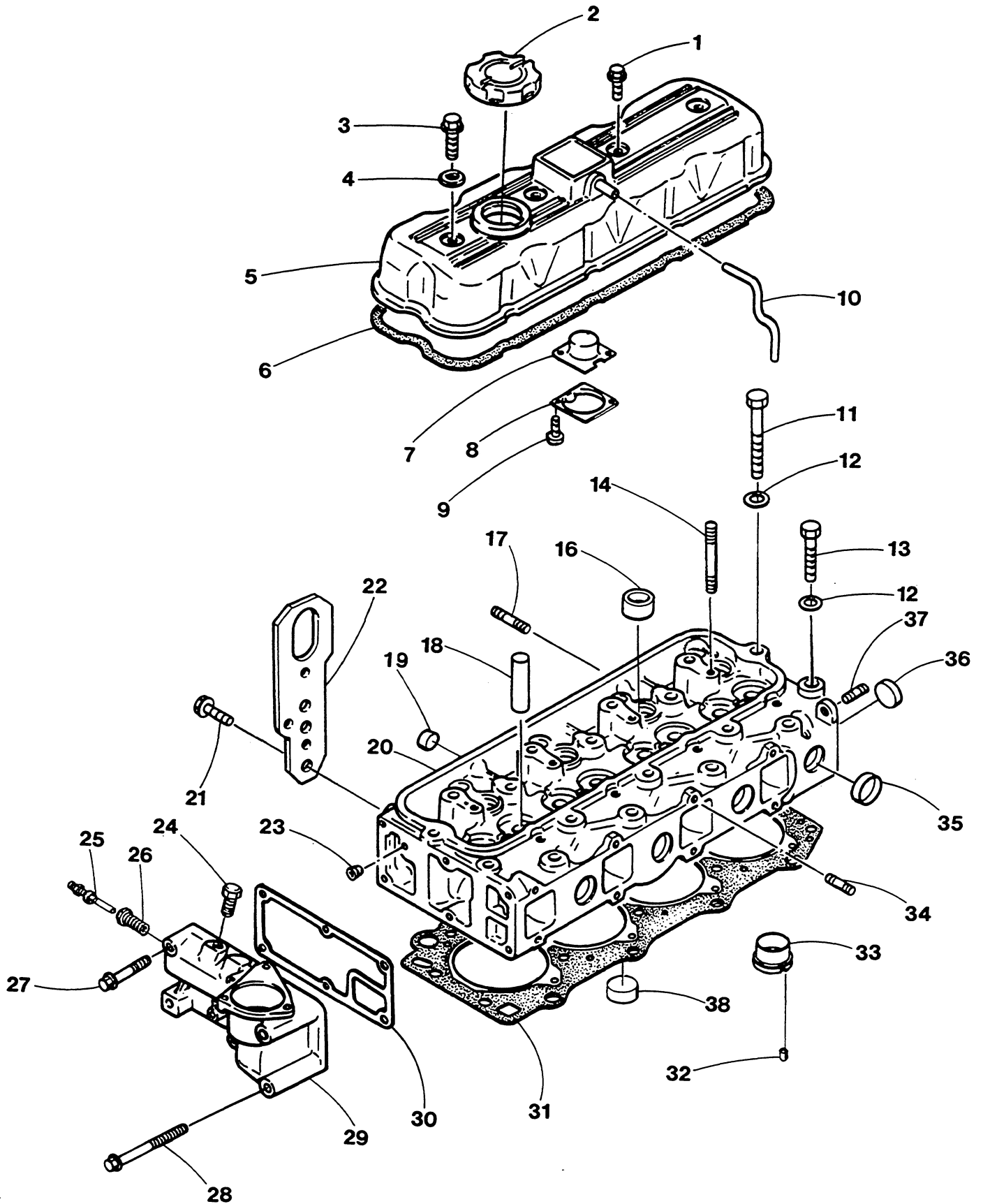
WESTERBEKE 71C - 20.0 BEDA - CYLINDER BLOCK



WESTERBEKE 71C - 20.0 BEDA - CYLINDER BLOCK

REF	PN	NAME	REMARKS	QUAN
1	041395	BLOCK	ASSEMBLY	1
2	024373	PLUG	EXPANSION 25MM DIN 443	3
3	033656	DOWEL	TUBULAR	2
4	041379	LINER	CYLINDER	4
5	024379	PLUG	CAMSHAFT	1
6	024374	PLUG	EXPANSION 30MM DIN 443	9
7	040254	PLUG	1/4BSPT HEX HEAD BRASS	1
8	030711	PLUG	1/8BSPT SOCKET HEAD	2
9	024393	PLUG	OIL GALLERY-BLOCK REAR	1
10	031281	STUD	M 8 X 40 DIN 939	1
11	031281	STUD	M 8 X 40 DIN 939	1
12	032804	DOWEL	TUBULAR	10
13	032635	WASHER	FLAT	10
14	032643	BOLT	MAIN BEARING CAP-REAR	2
15	032642	BOLT	MAIN BEARING CAP	8
16	015828	STUD	M 8 X 22 DIN 939	1
17	034119	PLUG		2
19	041436	STUD	M 8 X 68 DIN 939	1
20	033657	PLUG	EXPANSION 40MM DIN 443	1

WESTERBEKE 71C - 20.0 BEDA - CYLINDER HEAD

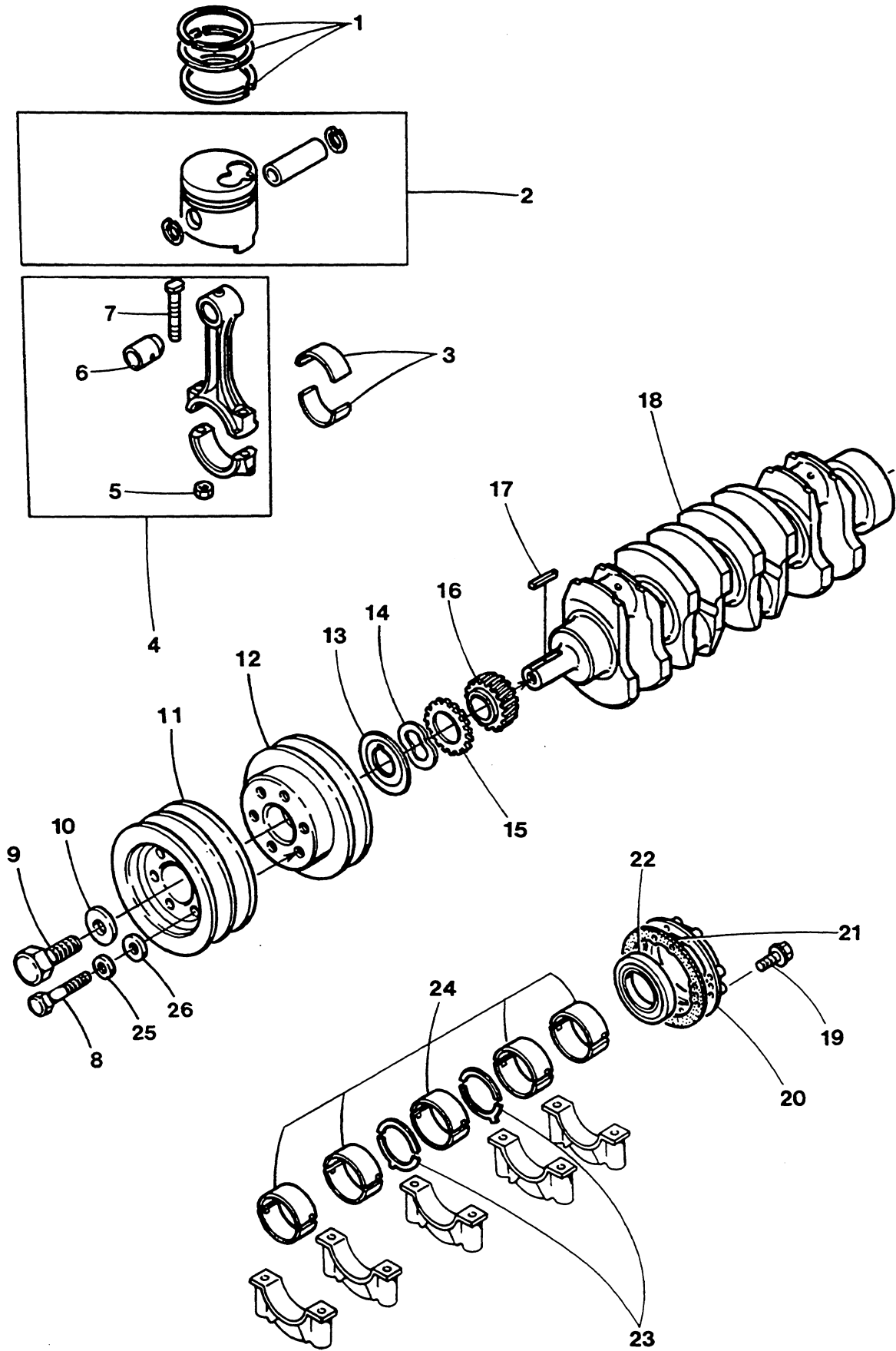


WESTERBEKE 71C - 20.0 BEDA - CYLINDER HEAD

REF	PN	NAME	REMARKS	QUAN
1	033645	CAPSCREW	M 8 X 40 JIS-FLANGE	2
2	040151	CAP	OIL FILLER	1
3	033641	CAPSCREW	M 8 X 16 JIS-FLANGE	2
4	030985	SEAL	ROCKER COVER CAPSCREW	4
5	032638	COVER	ROCKER	1
6	032639	GASKET	ROCKER COVER	1
7	032740	PLATE	BAFFLE-BREATHER	1
8	032741	PLATE	BREATHER OIL BAFFLE	1
9	034172	SCREW	M 4 X 8 RH	4
10	032640	HOSE	BREATHER	1
11	032633	BOLT	CYLINDER HEAD	11
12	032635	WASHER	FLAT-CYLINDER HEAD BOLTS	18
13	032634	BOLT	CYLINDER HEAD	7
14	033661	STUD	M 8 X 48 DIN 939	2
16	024374	PLUG	EXPANSION 30MM DIN 443	4
17	015831	STUD	M 8 X 32 DIN 939	8
18	040251	GUIDE	VALVE	8
19	033625	PLUG	EXPANSION 12MM DIN 443	4
20	041345	HEAD	CYLINDER	1
21	033651	CAPSCREW	M10 X 1.25 X 20 JIS-FLANGE	2
22	030131	EYE	LIFTING	1
23	030711	PLUG	1/8BSPT SOCKET HEAD	1
24	022205	PLUG	M16 X 1.5 DIN 910	1
25	035109	SENDER	WATER TEMPERATURE	1
26	024672	BUSHING	HOUSING TO 1/8NPT FOR SENDER	1
27	033646	CAPSCREW	M 8 X 45 JIS-FLANGE	3
28	033653	CAPSCREW	M10 X 1.25 X 95 JIS-FLANGE	2
29	041523	HOUSING	LOWER THERMOSTAT INCL REF 26	1
30	040237	GASKET	LOWER THERMOSTAT HOUSING	1
31	041348	GASKET	CYLINDER HEAD	1
32	041570	PIN	SPRING	4
33	041346	INSERT	COMBUSTION	4
34	015828	STUD	M 8 X 22 DIN 939	2
35	024374	PLUG	EXPANSION 30MM DIN 443	4
36	024378	PLUG	EXPANSION 50MM DIN 443	1
37	033623	STUD	M10 X 1.25 X 16	1
38	024373	PLUG	EXPANSION 25MM DIN 443	3



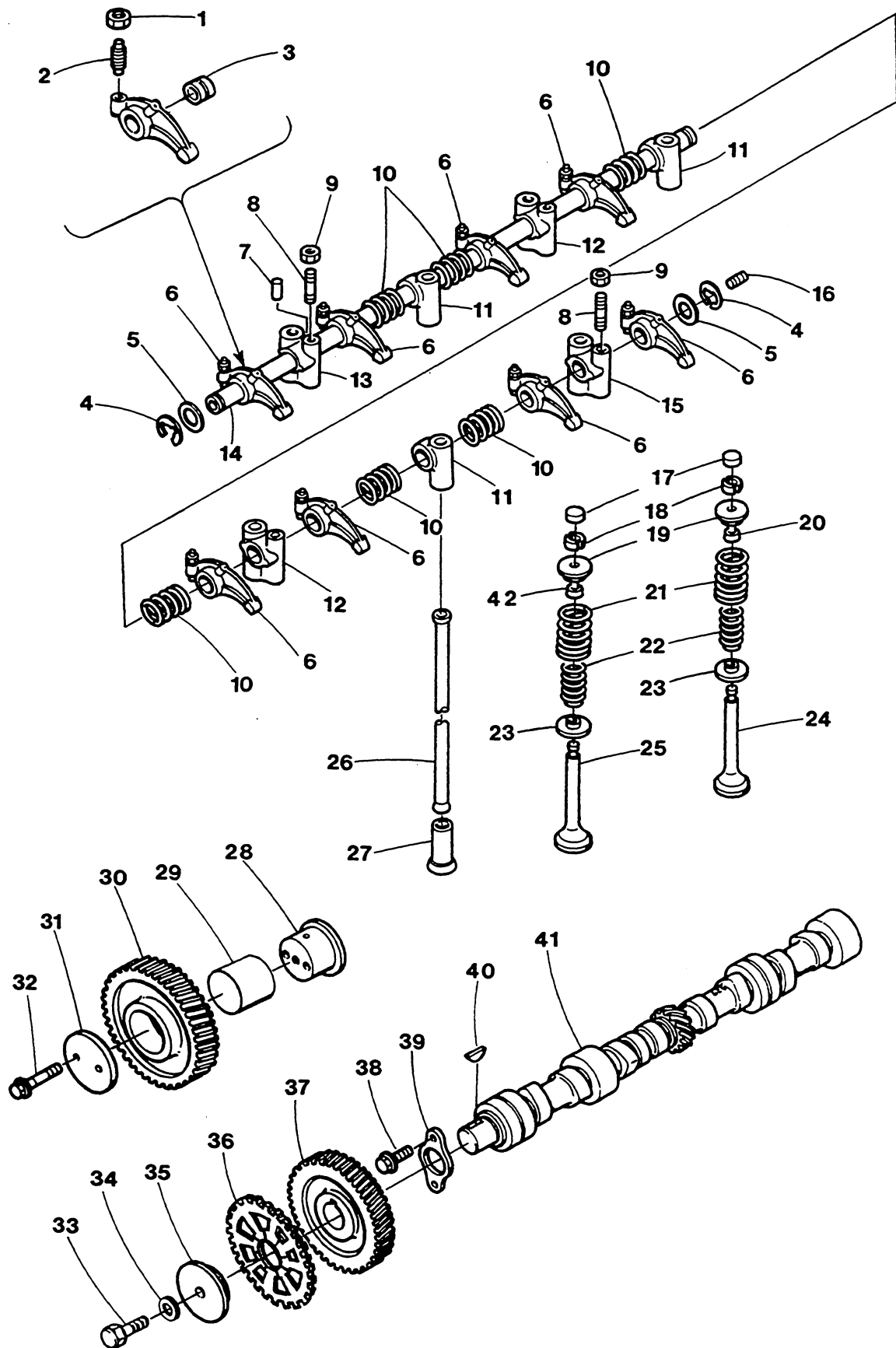
# WESTERBEKE 71C - 20.0 BEDA - CRANKSHAFT - PISTONS



WESTERBEKE 71C - 20.0 BEDA - CRANKSHAFT - PISTONS

REF	PN	NAME	REMARKS	QUAN
1	041385	RING SET	STD-ENGINE SET	1
2	041384	PISTON	STD	4
3-1	024484	BEARING	SET CONNECTING ROD STD	1
3-2	024485	BEARING	SET CONNECTING ROD 0.25MM	1
3-3	024486	BEARING	SET CONNECTING ROD 0.50MM	1
3-4	024487	BEARING	SET CONNECTING ROD 0.76MM	1
4	041357	ROD	CONNECTING	4
5	032659	NUT	CONNECTING ROD BOLT	4
6	041358	BUSHING	CONNECTING ROD	4
7	032658	BOLT	CONNECTING ROD	8
8	013619	CAPSCREW	M 8 X 30 DIN 933	6
9	032662	BOLT	CRANKSHAFT PULLEY	1
10	032663	WASHER	CRANKSHAFT PULLEY	1
11	038786	PULLEY	CRANKSHAFT 2 GROOVE	1
12	040190	PULLEY	CRANKSHAFT 1 GROOVE	1
13	040299	SLINGER	CRANKSHAFT FRONT	1
14	040301	SPRING	FRICTION GEAR	1
15	040302	GEAR	FRICTION	1
16	041360	GEAR	CRANKSHAFT	1
17	032903	KEY	CRANKSHAFT GEAR	1
18	041359	CRANKSHAFT		1
19	033643	CAPSCREW	M 8 X 30 JIS-FLANGE	8
20	040298	FLANGE	OIL SEAL CRANKSHAFT REAR	1
21	040300	GASKET	CRANKSHAFT OIL SEAL FLANGE	1
22	040304	SEAL	OIL CRANKSHAFT REAR	1
23-1	024492	WASHER	THRUST SET STD	1
23-2	024493	WASHER	THRUST SET U/S	1
24-1	041380	BEARING	SET MAIN STD	1
24-2	041381	BEARING	SET MAIN 0.25MM	1
24-3	041382	BEARING	SET MAIN 0.50MM	1
24-4	041383	BEARING	SET MAIN 0.76MM	1
25	031786	LOCKWASHER	M 8 DIN 127	6
26	031787	WASHER	M 8 DIN 125	6

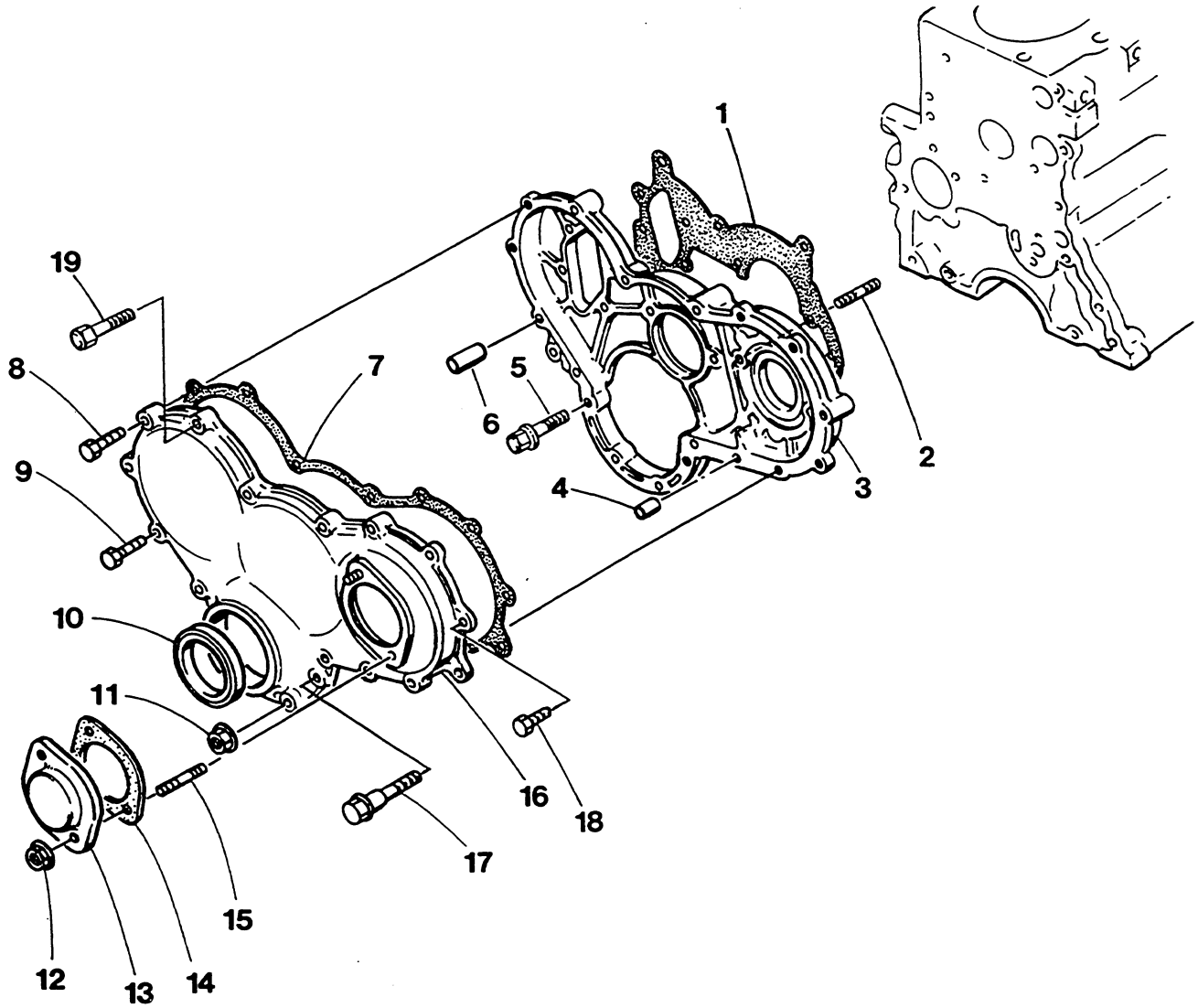
WESTERBEKE 71C - 20.0 BEDA - VALVES - ROCKER SHAFT - CAMSHAFT



WESTERBEKE 71C - 20.0 BEDA - VALVES - ROCKER SHAFT - CAMSHAFT

REF	PN	NAME	REMARKS	QUAN
1	032909	NUT		8
2	032676	SCREW	ROCKER ADJUSTING	8
3	024431	BUSHING	ROCKER	8
4	033658	CIRCLIP		2
5	024437	WASHER	ROCKER SHAFT	2
6	032675	ROCKER	INCLUDING BUSHING, SCREW, LOCKNUT	8
7	032384	PIN	TAPER	1
8	033661	STUD	M 8 X 48 DIN 939	2
9	032682	NUT	PILLAR	2
10	024436	SPRING	ROCKER SHAFT	6
11	032678	BRACKET	ROCKER SHAFT	3
12	032680	BRACKET	ROCKER SHAFT	2
13	032679	BRACKET	ROCKER SHAFT	1
14	032677	SHAFT	ROCKER INCLUDING PLUGS	1
15	032681	BRACKET	ROCKER SHAFT	1
16	033659	PLUG	ROCKER SHAFT END	2
17	032672	CAP	VALVE STEM	8
18	040307	COTTER	VALVE	16
19	032669	SEAT	VALVE SPRING UPPER	8
20	033660	SEAL	INTAKE VALVE STEM OIL	4
21	032670	SPRING	VALVE OUTER	8
22	024426	SPRING	VALVE INNER	8
23	032671	SEAT	VALVE SPRING LOWER	8
24	041361	VALVE	INTAKE	4
25	041362	VALVE	EXHAUST	4
26	032683	PUSHROD		8
27	030966	TAPPET		8
28	037208	HUB	IDLER GEAR	1
29	032810	BUSHING	IDLER GEAR	1
30	032684	GEAR	IDLER INCLUDING BUSHING	1
31	024443	PLATE	IDLER GEAR	1
32	033647	CAPSCREW	M 8 X 50 JIS-FLANGE	2
33	033715	CAPSCREW	M12 X 1.5 X 35 DIN 961	1
34	033662	WASHER	CAMSHAFT GEAR	1
35	031014	PLATE	LOCK CAMSHAFT GEAR	1
36	031015	GEAR	FRICTION	1
37	032685	GEAR	CAMSHAFT	1
38	033641	CAPSCREW	M 8 X 16 JIS-FLANGE	2
39	024446	PLATE	CAMSHAFT RETAINING	1
40	024445	KEY	WOODRUFF	1
41	041363	CAMSHAFT		1
42	040238	SEAL	EXHAUST VALVE STEM OIL	4

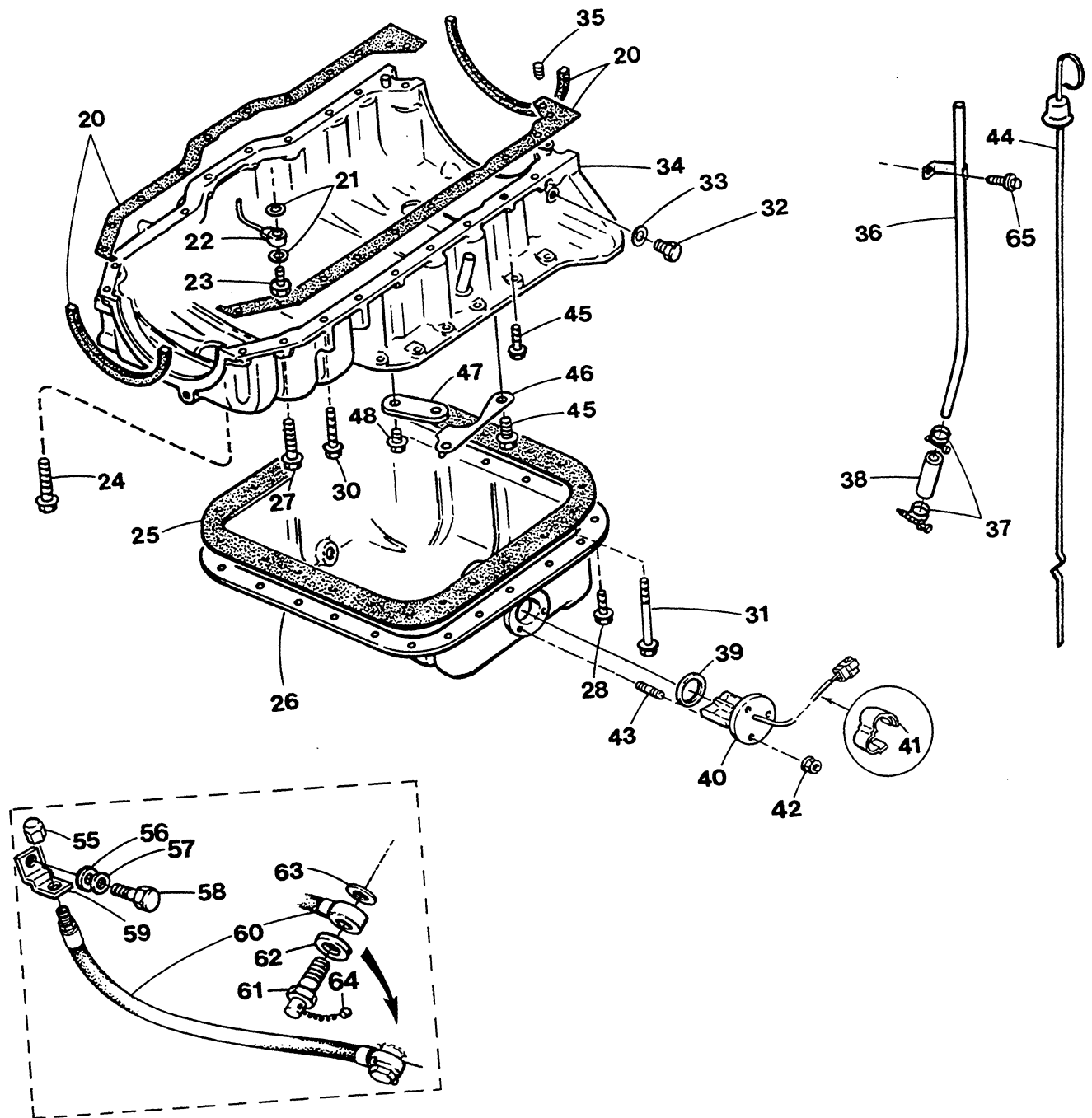
WESTERBEKE 71C - 20.0 BEDA - TIMING GEAR COVER



WESTERBEKE 71C - 20.0 BEDA - TIMING GEAR COVER

REF	PN	NAME	REMARKS	QUAN
1	041354	GASKET	BLOCK TO TIMING CASE	1
2	015830	STUD	M 8 X 25 DIN 939	2
3	041353	CASE	TIMING INCLUDING REF 2 THRU 6	1
4	033676	DOWEL	TUBULAR 12MM DIA X 12MM LG	1
5	033654	CAPSCREW	M 8 X 20 JIS-FLANGE	6
6	033677	DOWEL	TUBULAR 12MM DIA X 35MM LG	1
7	041356	GASKET	TIMING COVER TO CASE	1
8	033643	CAPSCREW	M 8 X 30 JIS-FLANGE	5
9	033649	CAPSCREW	M 8 X 65 JIS-FLANGE	1
10	040281	SEAL	OIL-TIMING COVER	1
11	033668	NUT	M 8 JIS-FLANGE	2
12	033668	NUT	M 8 JIS-FLANGE	2
13	024398	COVER	INJECTION PUMP GEAR	1
14	024399	GASKET	INJECTION PUMP GEAR COVER	1
15	033678	STUD	M 8 X 12 DIN 939	2
16	041355	COVER	TIMING	1
17	041470	CAPSCREW	M 8 X 70 JIS-FLANGE	3
18	033640	CAPSCREW	M 8 X 55 JIS-FLANGE DOG PT	2
19	033648	CAPSCREW	M 8 X 55 JIS-FLANGE	3

# WESTERBEKE 71C - 20.0 BEDA - LUBE OIL SUMP

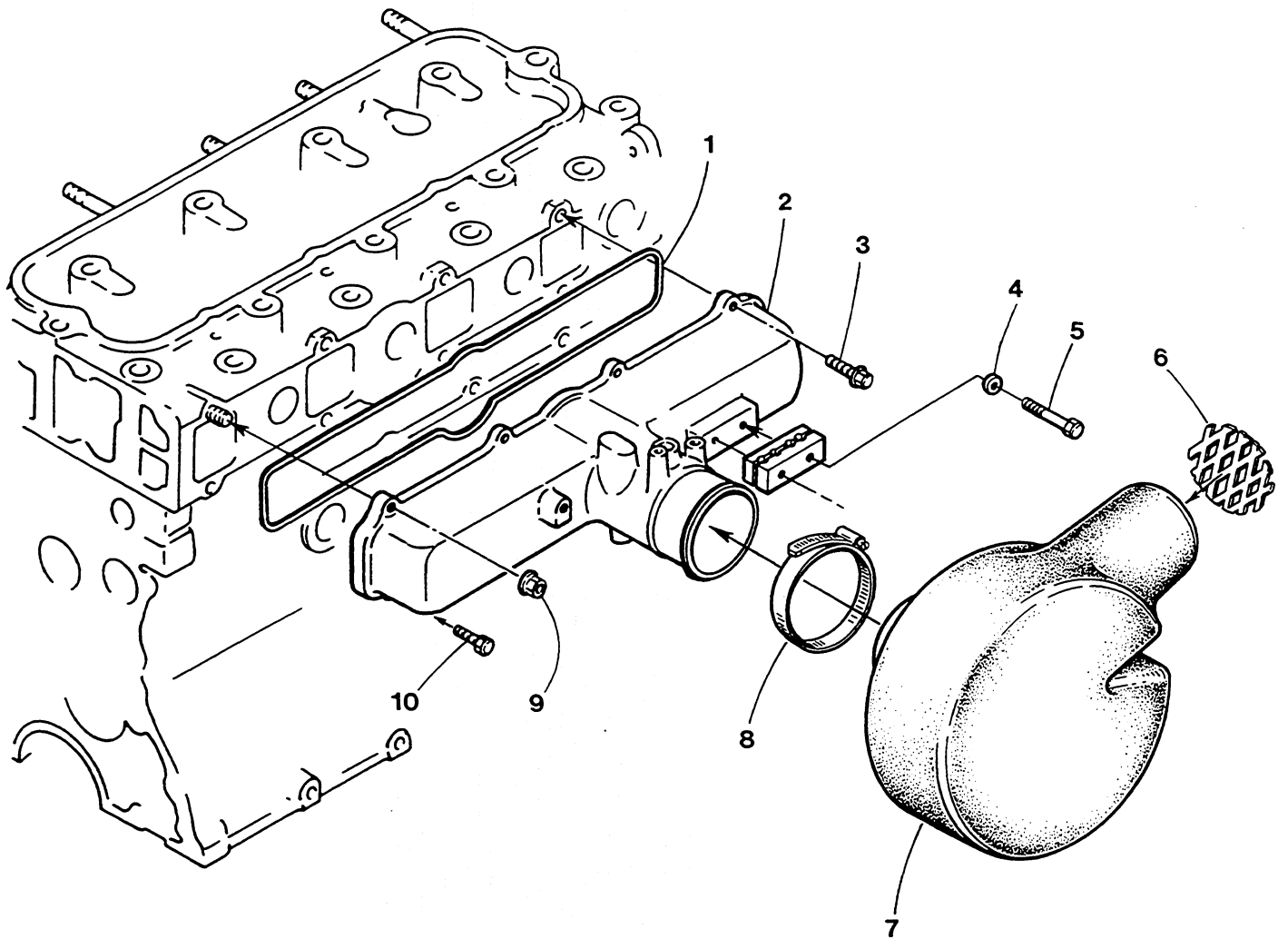


WESTERBEKE 71C - 20.0 BEDA - LUBE OIL SUMP

REF	PN	NAME	REMARKS	QUAN
20	041350	GASKET SET	BLOCK TO LOWER BLOCK	1
21	032654	WASHER	OIL JET	8
22	032653	LINE	OIL JET	4
23	032655	VALVE	OIL JET	4
24	041434	CAPSCREW	M 8 X 130 JIS-FLANGE	2
25	032716	GASKET	SUMP TO LOWER BLOCK	1
26	032644	SUMP	LUBE OIL	1
27	033642	CAPSCREW	M 8 X 25 JIS-FLANGE	11
28	033639	CAPSCREW	M 8 X 12 JIS-FLANGE	20
30	033647	CAPSCREW	M 8 X 50 JIS-FLANGE	5
31	033626	CAPSCREW	M 8 X 120 JIS-FLANGE	2
32	032905	PLUG		1
33	024498	WASHER		1
34	041349	BLOCK	LOWER INCLUDING REF 35	1
35	033656	DOWEL	INCLUDED IN REF 34	2
36	032645	TUBE	DIPSTICK	1
37	017298	CLAMP	HOSE	2
38	032875	HOSE	DIPSTICK	1
39	041389	O-RING		1
40	041593	SWITCH	SUMP OIL LEVEL	1
41		CLAMP	OIL LEVEL SWITCH WIRE	2
42	036211	NUT	M 6 JIS-FLANGE	3
43	033679	STUD	M 6 X 12 DIN 939	3
44	041351	DIPSTICK		1
45	041433	CAPSCREW	M 8 X 110 JIS-FLANGE	4
46	040357	BRACKET	OIL LINE	1
47	040358	BRACKET	OIL STRAINER	1
48	033654	CAPSCREW	M 8 X 20 JIS-FLANGE	2
55	024905	CAP	SUMP DRAIN HOSE	1
56	031789	WASHER	M10 DIN 125	1
57	019262	LOCKWASHER	M10 DIN 127	1
58	031083	CAPSCREW	M10 X 1.25 X 30 JIS	1
59	024922	BRACKET	SUMP DRAIN HOSE	1
60	030848	HOSE	SUMP DRAIN	1
61	036821	BOLT	BANJO-SUMP DRAIN	1
62	036493	WASHER	SUMP DRAIN BANJO	1
63	030291	WASHER	BANJO M14	1
64	037393	SEAL	LEAD WIRE	1
65	033639	CAPSCREW	M 8 X 12 JIS-FLANGE	1



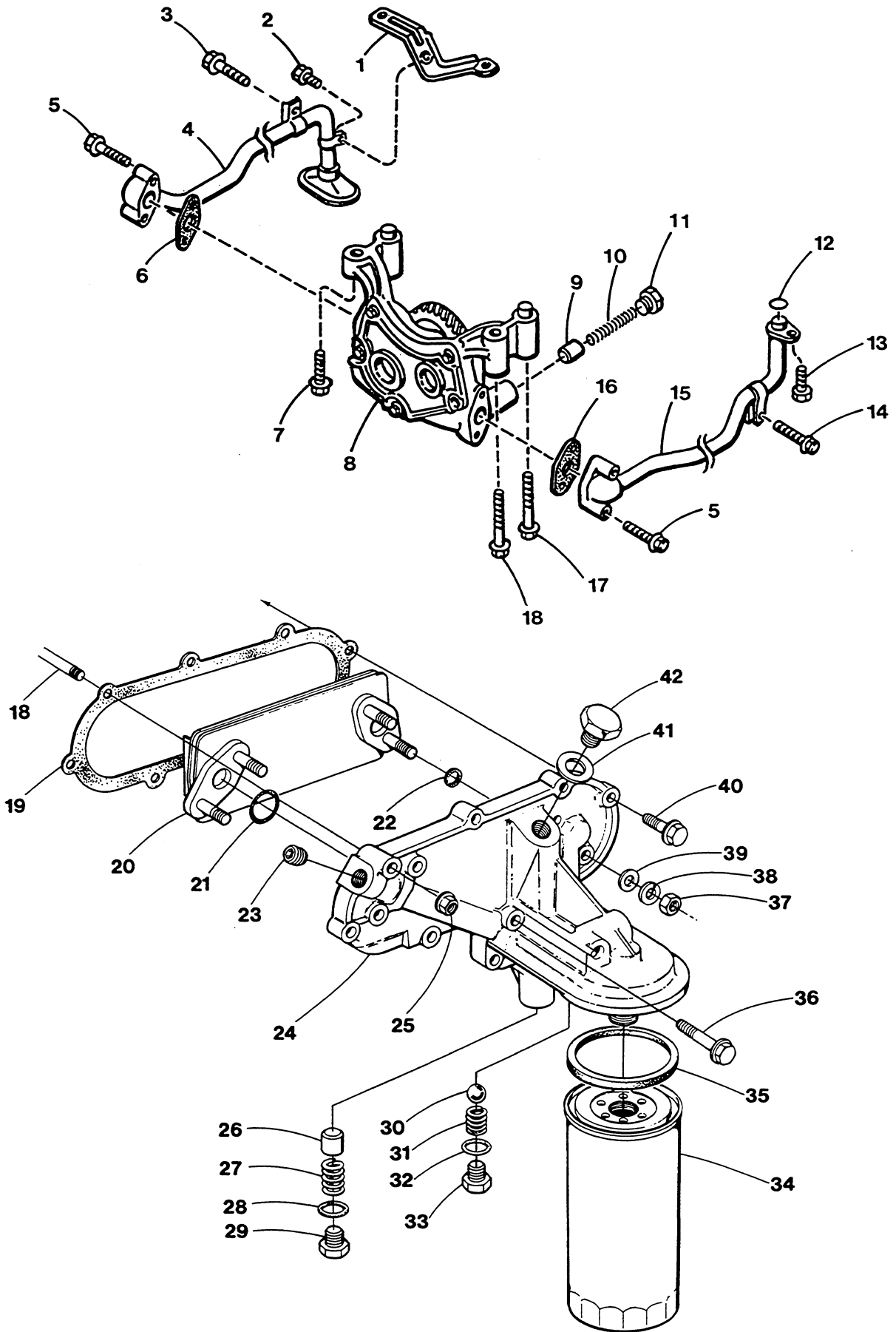
WESTERBEKE 71C - 20.0 BEDA - INTAKE MANIFOLD



WESTERBEKE 71C - 20.0 BEDA - INTAKE MANIFOLD

REF	PN	NAME	REMARKS	QUAN
1	041365	GASKET	INTAKE MANIFOLD TO HEAD	1
2	041364	MANIFOLD	INTAKE	1
3	033642	CAPSCREW	M 8 X 25 JIS-FLANGE	2
4	031780	LOCKWASHER	M 5 DIN 127	2
5	038909	STUD		2
6	037641	SCREEN	AIR INTAKE SILENCER	1
7-1	037782	SILENCER	AIR INTAKE INCLUDING REF 6-PROPULSION	1
7-2	037783	SILENCER	AIR INTAKE INCLUDING REF 6-GENSET	1
8	011505	CLAMP	HOSE 48	1
9	033668	NUT	M 8 JIS-FLANGE	2
10	033654	CAPSCREW	M 8 X 20 JIS-FLANGE	4

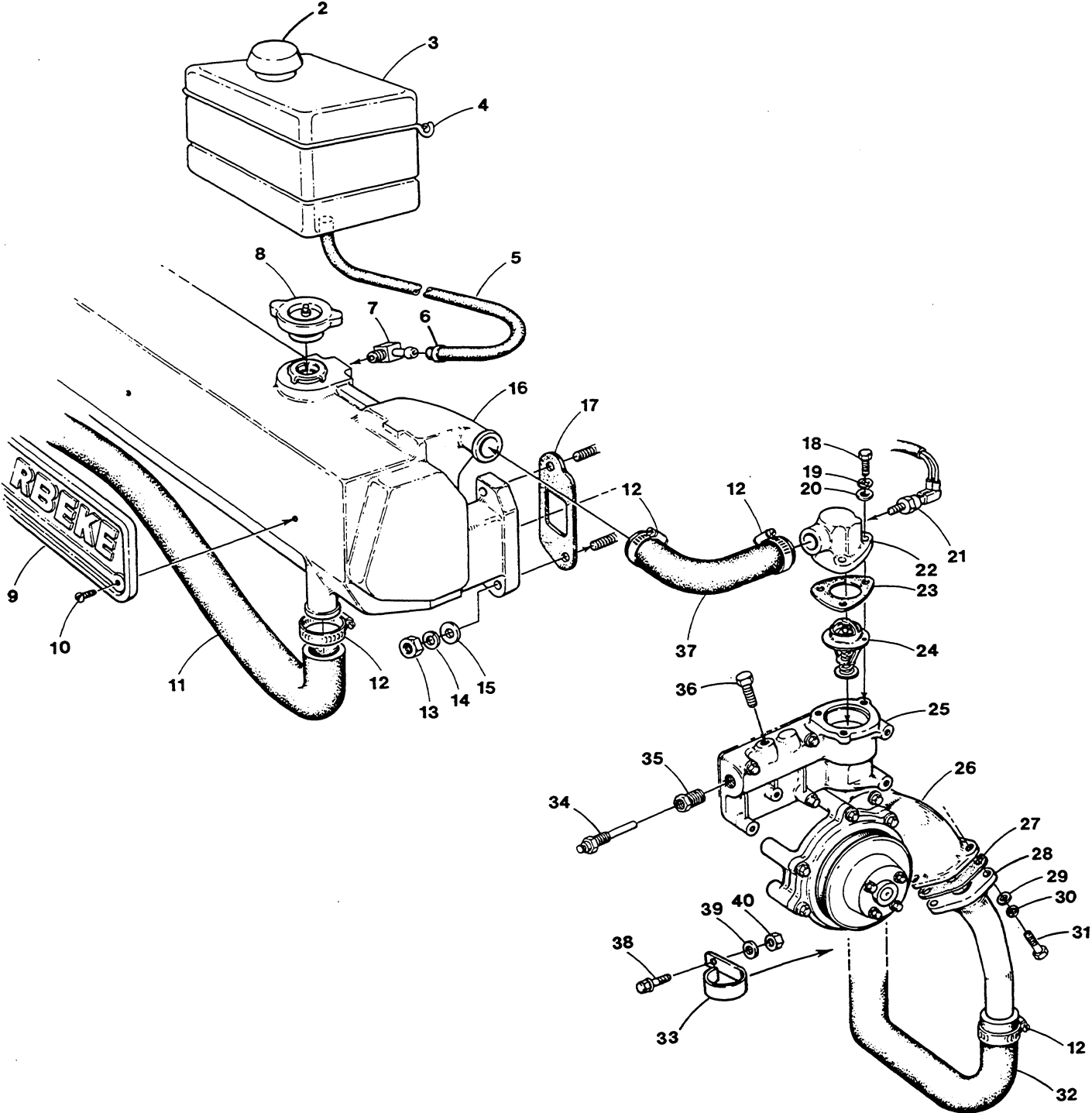
WESTERBEKE 71C - 20.0 BEDA - LUBE OIL FILTER AND PUMP



WESTERBEKE 71C - 20.0 BEDA - LUBE OIL FILTER AND PUMP

REF	PN	NAME	REMARKS	QUAN
1	040356	BRACKET	OIL STRAINER	1
2	041425	CAPSCREW	M 8 X 20 JIS-FLANGE DOG POINT	1
3	041424	CAPSCREW	M 6 X 25 JIS-FLANGE DOG POINT	1
4	040354	STRAINER	OIL PUMP	1
5	041426	CAPSCREW	M 6 X 30 JIS-FLANGE	4
6	040355	GASKET	STRAINER TO PUMP	1
7	033622	CAPSCREW	M10 X 1.25 X 35 JIS-FLANGE	
8	040350	PUMP	LUBE OIL INCLUDING REF 9,10,11	1
9	024470	PLUNGER	OIL RELIEF VALVE	1
10	032702	SPRING	OIL RELIEF VALVE	1
11	040351	PLUG	OIL RELIEF VALVE	1
12	032907	O-RING		1
13	033654	CAPSCREW	M 8 X 20 JIS-FLANGE	1
14	041424	CAPSCREW	M 6 X 25 JIS-FLANGE DOG POINT	1
15	040352	LINE	OIL PUMP TO BLOCK	1
16	040353	GASKET	OIL PUMP TO LINE	1
17	041431	CAPSCREW	M10 X 1.25 X 60 JIS-FLANGE	
18	041430	CAPSCREW	M10 X 1.25 X 50 JIS-FLANGE	
19	032705	GASKET	ADAPTER/COOLER TO BLOCK	1
20	032714	COOLER	LUBE OIL	1
21	032728	O-RING	COOLER TO FILTER ADAPTER	2
22	032727	O-RING	COOLER STUD TO FILTER ADAPTER	4
23	024903	PLUG	3/8-19 BSPT DIN 906	1
24	032730	ADAPTER	LUBE OIL FILTER TO BLOCK	1
25	033668	NUT	M 8 JIS-FLANGE	2
26	024470	PLUNGER		1
27	032862	SPRING		1
28	032861	O-RING		1
29	032731	PLUG		1
30	032733	BALL	STEEL	1
31	032734	SPRING		1
32	032735	O-RING		1
33	032736	PLUG		1
34	040154	FILTER	LUBE OIL INCLUDING GASKET	1
35		GASKET	INCLUDED WITH OIL FILTER	1
36	033645	CAPSCREW	M 8 X 40 JIS-FLANGE	1
37	032724	NUT	M10 X 1.25 JIS	4
38	019262	LOCKWASHER	M10 DIN 127	4
39	031789	WASHER	M10 DIN 125	4
40	033642	CAPSCREW	M 8 X 25 JIS-FLANGE	7
41	033673	WASHER		1
42	033672	PLUG	M24	1

WESTERBEKE 71C - 20.0 BEDA - FRESH WATER COOLING SYSTEM - FRONT.



WESTERBEKE 71C - 20.0 BEDA - FRESH WATER COOLING SYSTEM - FRONT

REF	PN	NAME	REMARKS	QUAN
1	024977	KIT	COOLANT RECOVERY TANK INCL REF 2 THRU 6	1
2	024858	CAP	COOLANT RECOVERY TANK	1
3	024704	TANK	COOLANT RECOVERY	1
4	024786	STRAP	COOLANT RECOVERY TANK MOUNTING	1
5	024637	TUBING	MANIFOLD TO TANK - INCHES REQUIRED	60
6	024906	CLAMP	HOSE	2
7	024907	ELBOW	MANIFOLD TO RECOVERY TANK HOSE	1
8	024306	CAP	PRESSURE	1
9	035411	NAMEPLATE		1
10	031935	SCREW	8-32 X 1/4 SS OVAL HEAD	2
11	037747	HOSE	MANIFOLD TO EXCHANGER	1
12	038193	CLAMP	HOSE 28	4
13	018242	NUT	M 8 DIN 934	8
14	031786	LOCKWASHER	M 8 DIN 127	8
15	031787	WASHER	M 8 DIN 125	8
16	037305	MANIFOLD	EXHAUST INCLUDING CAP	1
17	037745	GASKET	EXHAUST MANIFOLD TO HEAD	4
18	013630	CAPSCREW	M 8 X 25 DIN 933	3
19	031786	LOCKWASHER	M 8 DIN 127	3
20	031787	WASHER	M 8 DIN 125	3
21-1	030125	SWITCH	WATER TEMPERATURE-PROPULSION	1
21-2	039550	SWITCH	WATER TEMPERATURE-GENSET	1
22	037622	HOUSING	THERMOSTAT	1
23	033373	GASKET	THERMOSTAT	1
24	024690	THERMOSTAT		1
25	041523	HOUSING	LOWER THERMOSTAT INCLUDING REF 35	1
26		PUMP	FRESH WATER - REFER TO SEPARATE PAGE	1
27	032707	GASKET	ELBOW TO PUMP	1
28	032706	ELBOW	FRESH WATER PUMP CONNECTION	1
29	031787	WASHER	M 8 DIN 125	3
30	031786	LOCKWASHER	M 8 DIN 127	3
31	017196	CAPSCREW	M 8 X 20 DIN 933	3
32	038027	HOSE	EXCHANGER TO FRESH WATER PUMP	1
33	039949	CLAMP	SUPPORT HOSE	2
34	035109	SENDER	WATER TEMPERATURE	1
35	024672	BUSHING	HOUSING TO 1/8NPT FOR SENDER	1
36	022205	PLUG	M16 X 1.5 DIN 910	1
37	037629	HOSE	THERMOSTAT TO MANIFOLD	1
38	013630	CAPSCREW	M 8 X 25 DIN 933	1
39	033381	WASHER	SPACER	2
40	018242	NUT	M 8 DIN 934	1

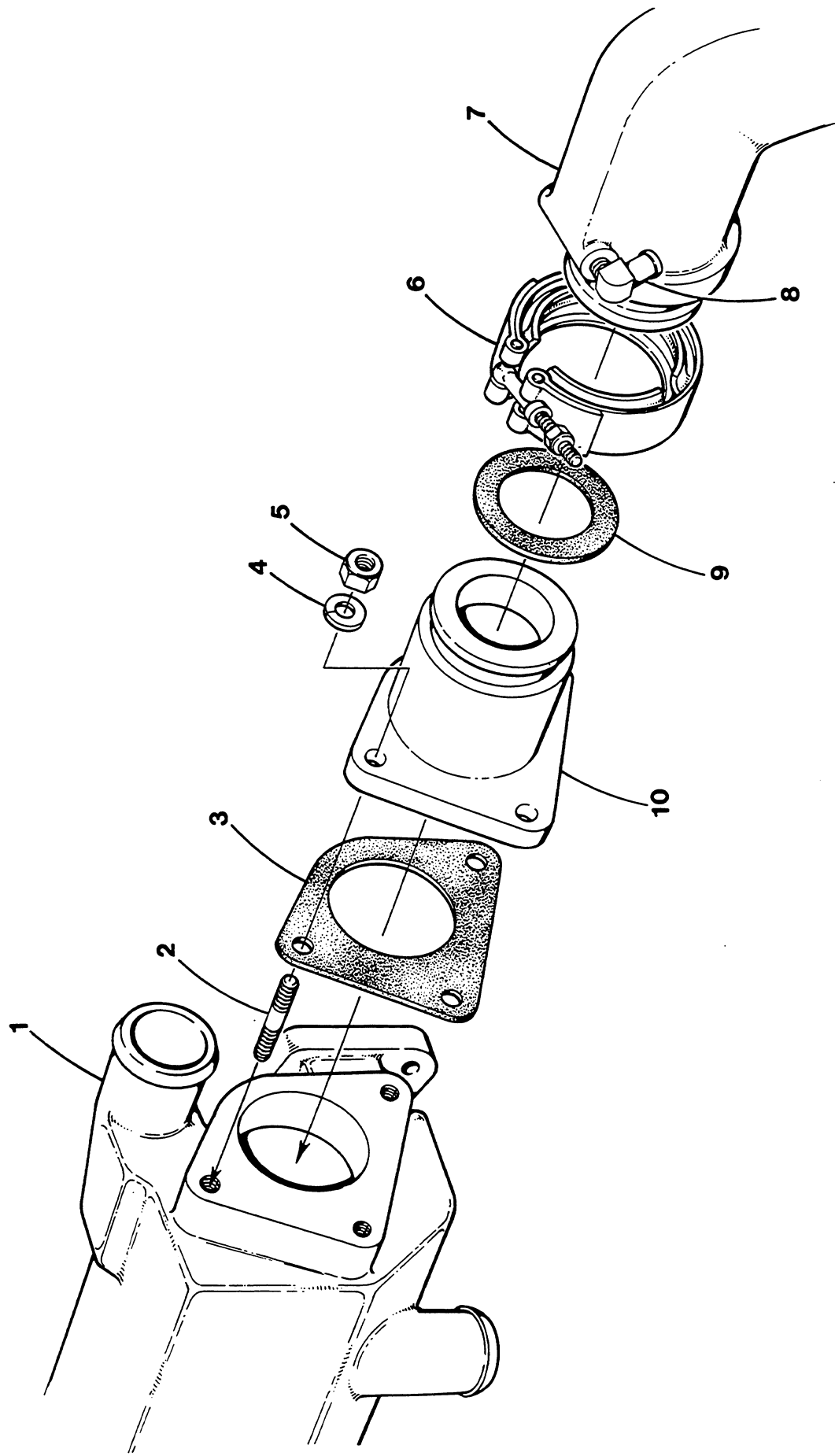


WESTERBEKE 71C - 20.0 BEDA - COOLING SYSTEM - REAR

REF	PN	NAME	REMARKS	QUAN
1	018242	NUT	M 8 DIN 934	8
2	031786	LOCKWASHER	M 8 DIN 127	8
3	031787	WASHER	M 8 DIN 125	8
4	015831	STUD	M 8 X 32 DIN 939	8
5	037745	GASKET	EXHAUST MANIFOLD TO HEAD	4
6	037305	MANIFOLD	EXHAUST	1
7	035747	PLUG	1/2NPT BRASS SQUARE HEAD	2
8	038221	GASKET	EXHAUST ELBOW TO MANIFOLD	1
9	038153	CLAMP	EXHAUST TO ELBOW TO MANIFOLD	1
10	036614	ELBOW	3/4NPT X 1" HOSE	1
11	036849	PLUG	3/4NPT BRASS SQUARE HEAD	1
12	038760	ELBOW KIT	WATER INJECTED INCLUDING REF 8 THRU 12	1
13	011405	CLAMP	HOSE 16	2
14	011779	HOSE	1" ID WIRE INSERTED - INCHES REQUIRED	26
15	037747	HOSE	MANIFOLD TO EXCHANGER	1
16	038193	CLAMP	HOSE 28	2
17	031753	WASHER	1/4 FLAT	2
18	031752	LOCKWASHER	1/4	2
19	031505	CAPSCREW	1/4NC X 1	2
20	011885	ZINC		1
21	038027	HOSE	EXCHANGER TO FRESH WATER	1
22	019369	PLUG	1/8NPT HEX HEAD BRASS	1
23	011471	PETCOCK	1/8NPT	2
24	039076	SPACER	EXCHANGER MOUNT-GENSET	2
25	036614	ELBOW	3/4NPT X 1" HOSE	1
26	031787	WASHER	M 8 DIN 125	2
27	031786	LOCKWASHER	M 8 DIN 127	2
28	013619	CAPSCREW	M 8 X 30 DIN 933 GENSET	2
29	015830	STUD	M 8 X 25 DIN 939 PROPULSION	2
30	018242	NUT	M 8 DIN 934 PROPULSION	2
31	038300	EXCHANGER	HEAT	1
32	022851	GASKET	EXCHANGER END COVER	2
33	019321	O-RING	EXCHANGER END COVER	2
34	022850	COVER	EXCHANGER END	2
35	022852	CAPSCREW	3/8NC X 1/2 BRASS	2



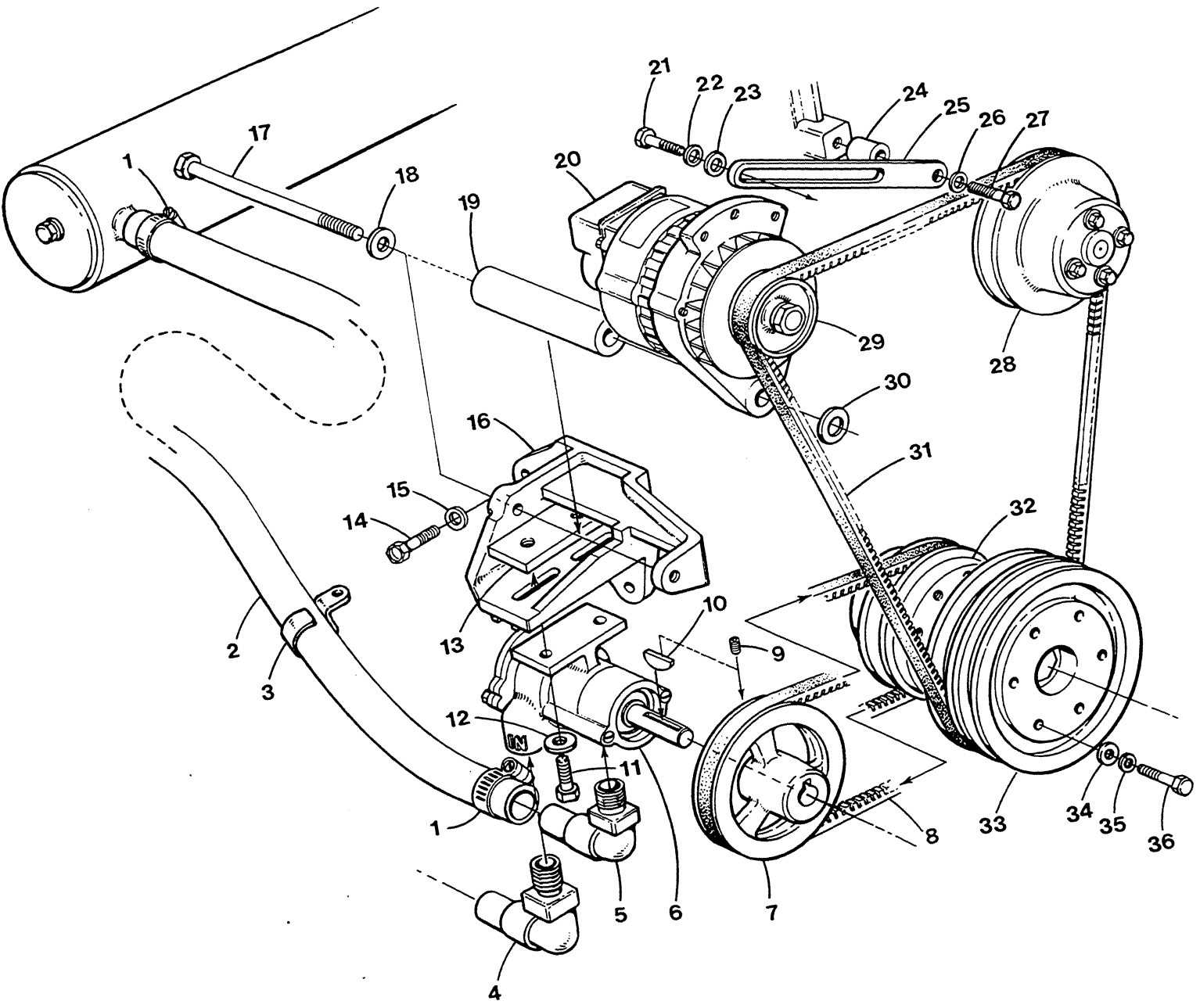
WESTERBEKE 71C FOUR - FRONT OPENING EXHAUST MANIFOLD



WESTERBEKE 71C FOUR - FRONT OPENING EXHAUST MANIFOLD

REF	PN	NAME	REMARKS	QUAN
1	039628	MANIFOLD	FRONT EXHAUST	1
2	037821	STUD	M10 X 30 DIN 939	3
3	037347	GASKET	MANIFOLD TO FLANGE	1
4	019262	LOCKWASHER	M10 DIN 127	3
5	015887	NUT	M10 DIN 934	3
6	038153	CLAMP	EXHAUST ELBOW TO FLANGE	1
7	039016	ELBOW KIT	WATER INJECTED EXHAUST INCL REF 6,7,8,9	1
8	036614	ELBOW	3/4NPT X 1" HOSE	1
9	038221	GASKET	EXHAUST ELBOW TO FLANGE	1
10	038862	FLANGE	MANIFOLD TO EXHAUST ELBOW	1

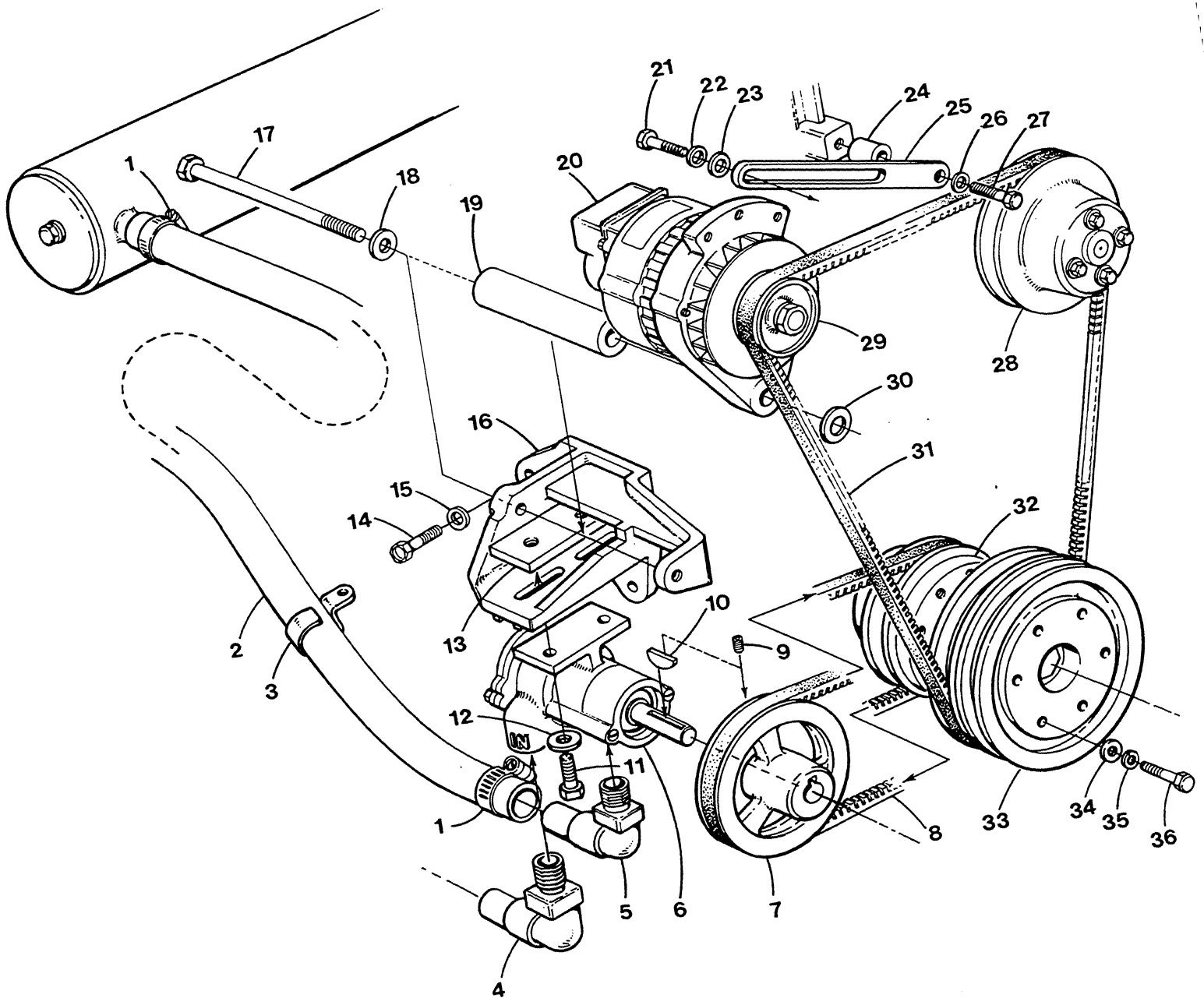
WESTERBEKE 71C - 20.0 BEDA - SEA WATER SYSTEM AND ALTERNATOR



WESTERBEKE 71C - 20.0 BEDA - SEA WATER SYSTEM AND ALTERNATOR

REF	PN	NAME	REMARKS	QUAN
1	011405	CLAMP	HOSE 16	2
2	011779	HOSE	1" ID WIRE INSERTED - INCHES REQUIRED	26
3	013741	CLAMP	SUPPORT HOSE-PROPULSION	1
4	036614	ELBOW	3/4NPT X 1" HOSE	1
5-1	036622	NIPPLE	3/4NPT X 1" HOSE - PROPULSION	1
5-2	036614	ELBOW	3/4NPT X 1" HOSE - GENSET	1
6	038445	PUMP	SEA WATER	1
7-1	011371	PULLEY	SEA WATER PUMP DRIVE - PROPULSION	1
7-2	038865	PULLEY	SEA WATER PUMP DRIVE - GENSET	1
8-1	013810	BELT	SEA WATER PUMP - PROPULSION	1
8-2	031152	BELT	SEA WATER PUMP - GENSET	1
9	011357	SETSCREW	PULLEY RETAINING	1
10	022392	KEY	SEA WATER PUMP SHAFT TO PULLEY	1
11	031631	CAPSCREW	3/8NF X 1-1/4	2
12-1	031764	LOCKWASHER	3/8	2
12-2	031765	WASHER	3/8 FLAT	2
13	038435	PLATE	SEA WATER PUMP ADJUSTING	1
14	031083	CAPSCREW	M10 X 1.25 X 30 JIS	3
15	019262	LOCKWASHER	M10 DIN 127	3
16-1	040400	BRACKET	SEA WATER PUMP & 50 AMP ALTERNATOR	1
16-2	041029	BRACKET	SEA WATER PUMP & 135-190 AMP ALTERNATOR	1
17-1	031724	CAPSCREW	1/2NC X 5-3/4 51AMP ALTERNATOR	1
17-2	031624	CAPSCREW	3/8NC X 5-3/4 135-190 AMP ALTERNATOR	1
18-1	031776	LOCKWASHER	1/2 51 AMP ALTERNATOR	1
18-2	031764	LOCKWASHER	3/8 135-190 AMP ALTERNATOR	1
19-1	040193	SPACER	50 AMP ALTERNATOR	1
19-2		SPACER	135 AMP ALTERNATOR	
20-1	039790	ALTERNATOR	50 AMP 12 VDC WITH REGULATOR	1
20-2	038792	ALTERNATOR	135 AMP 12 VDC	1
20-3	038891	REGULATOR	135 AMP ALTERNATOR	1
20-4	038793	ALTERNATOR	160 AMP 12 VDC	1
20-5	038794	ALTERNATOR	190 AMP 12 VDC	1
20-6	038892	REGULATOR	160-190 AMP ALTERNATOR	1
21	031555	CAPSCREW	5/16NC X 1	1
22	031758	LOCKWASHER	5/16	1
23	033381	WASHER	ADJUSTING STRAP	1
24	033713	SPACER		1
25	033064	STRAP	ALTERNATOR ADJUSTING	1
26	031786	LOCKWASHER	M 8 DIN 127	1
27	024983	CAPSCREW	M 8 X 75 DIN 931	1

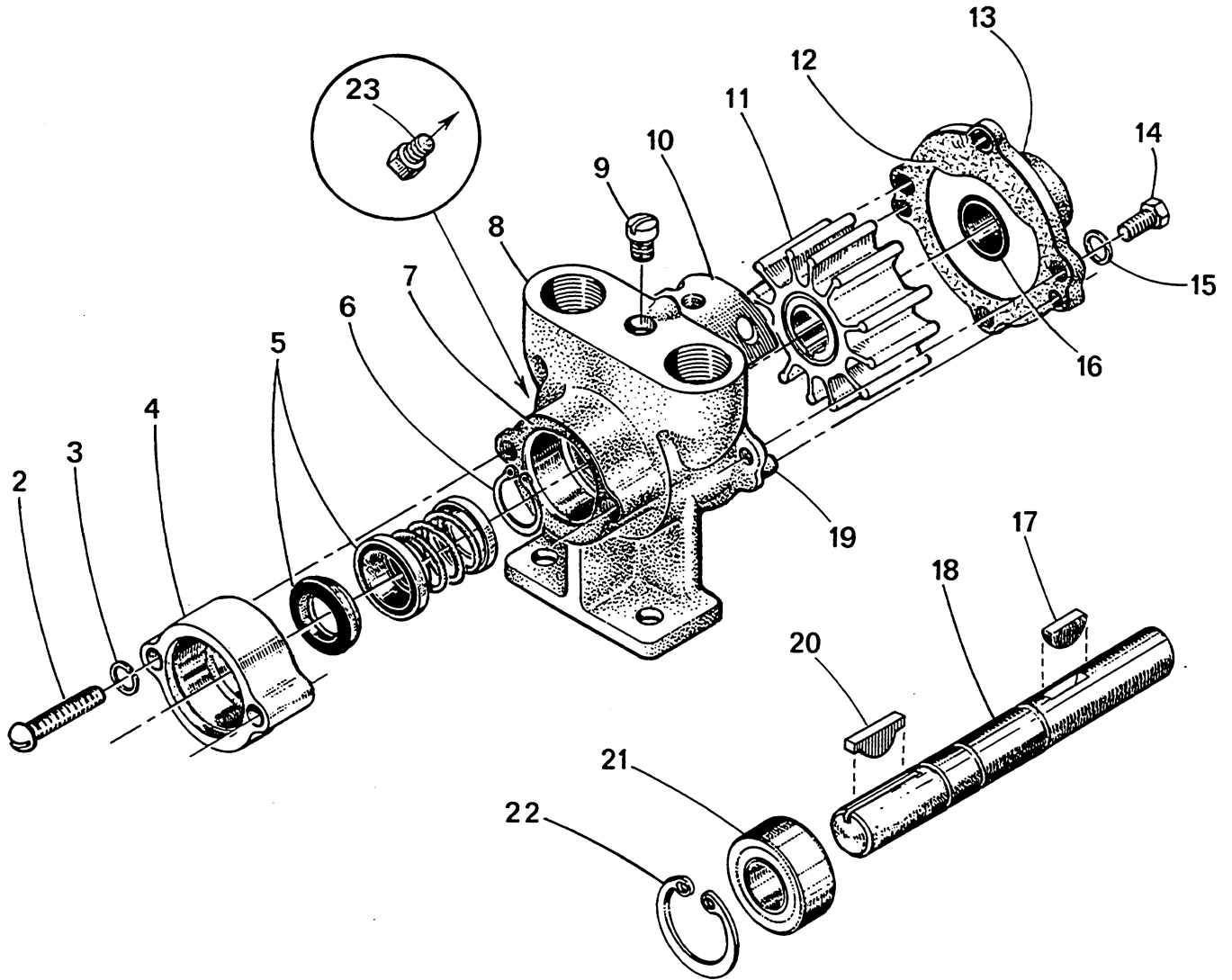
WESTERBEKE 71C - 20.0 BEDA - SEA WATER SYSTEM AND ALTERNATOR



WESTERBEKE 71C - 20.0 BEDA - SEA WATER SYSTEM AND ALTERNATOR

REF	PN	NAME	REMARKS	QUAN
28-1	031037	PULLEY	FRESH WATER PUMP 1 GROOVE	1
28-2	031110	PULLEY	FRESH WATER PUMP 2 GROOVE	1
29-1	039354	PULLEY	50 AMP ALTERNATOR	1
29-2	038440	PULLEY	135-190 AMP ALTERNATOR	1
30	030168	SPACER	50 AMP ALTERNATOR	3
31-1	039181	BELT	50 AMP ALTERNATOR & FRESH WATER PUMP	1
31-2	036457	BELT	135 AMP ALTERNATOR & FRESH WATER PUMP	2
32	040190	PULLEY	CRANKSHAFT 1 GROOVE	1
33	038786	PULLEY	CRANKSHAFT 2 GROOVE	1
34	031787	WASHER	M 8 DIN 125	6
35	031786	LOCKWASHER	M 8 DIN 127	6
36	013619	CAPSCREW	M 8 X 30 DIN 933	6

WESTERBEKE 71C - 20.0 BEDA - SEA WATER PUMP

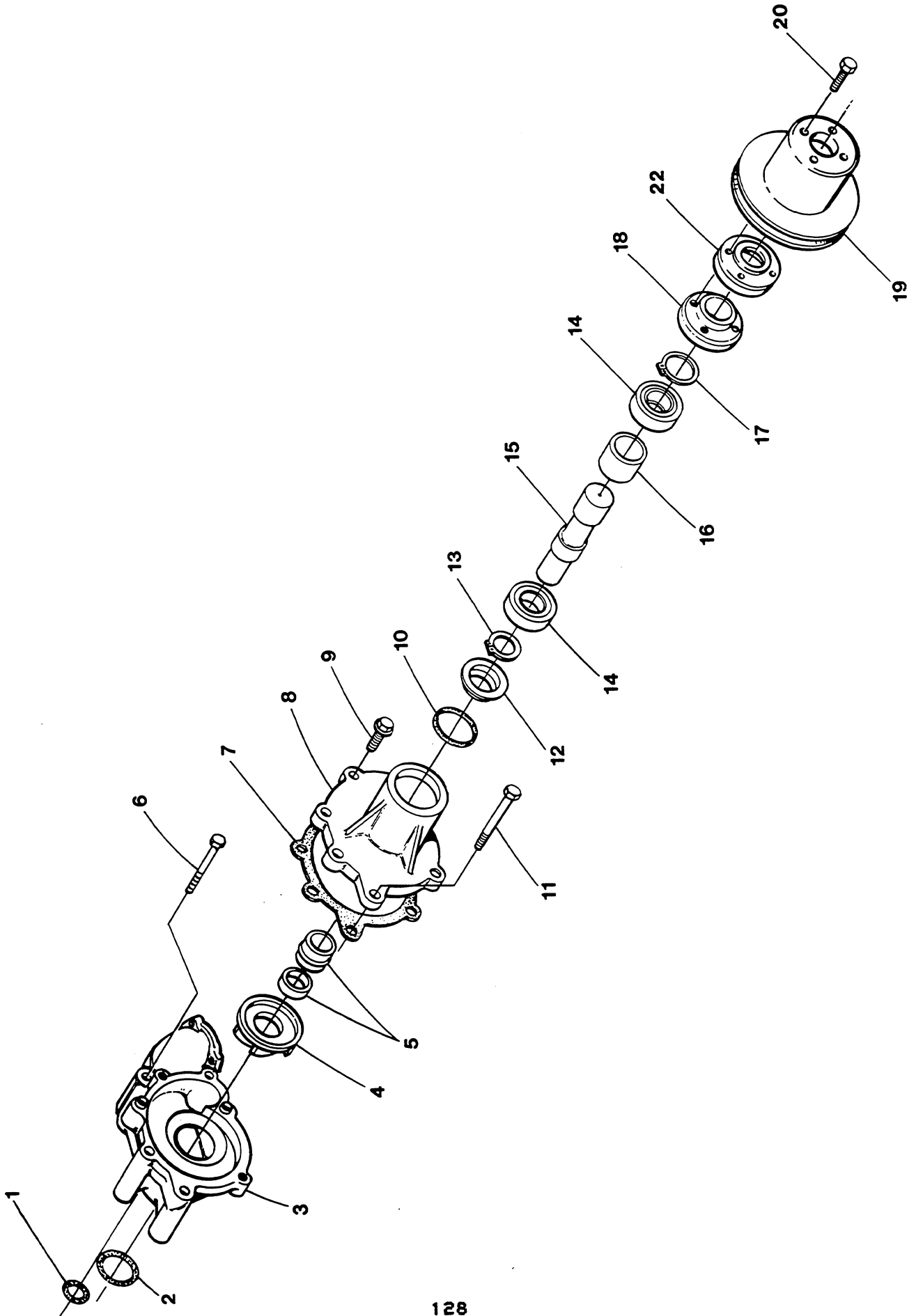


WESTERBEKE 71C - 20.0 BEDA - SEA WATER PUMP

REF	PN	NAME	REMARKS	QUAN
1	038445	PUMP	SEA WATER	1
2	018147	SCREW	BEARING HOUSING TO PUMP	2
3	032183	LOCKWASHER		2
4	018180	HOUSING	BEARING	1
5	014774	SEAL	INCLUDING SEAT	1
6	018145	RING	RETAINING	3
7	018154	GASKET	BEARING HOUSING TO PUMP HOUSING	1
8	039867	HOUSING	PUMP BODY	1
9	018151	SCREW	PUMP HOUSING TO CAM	1
10	018152	CAM		1
11	011907	IMPELLER	INCLUDING GASKET	1
12	011419	GASKET	IMPELLER COVER	1
13	018153	COVER	IMPELLER INCLUDING BUSHING	1
14	018143	CAPSCREW		4
15	032183	LOCKWASHER		4
16	018149	BUSHING	SHAFT END	1
17	018148	KEY	IMPELLER TO SHAFT	1
18	018164	SHAFT		1
19	018142	DOWEL	COVER TO PUMP HOUSING	2
20	022392	KEY	SEA WATER PUMP SHAFT TO PULLEY	1
21	018144	BEARING		1
22	018146	RING	RETAINING	1
23	019369	PLUG	1/8NPT HEX HEAD BRASS	1
24	033329	KIT	PUMP REPAIR INCL 6,7,9,10,11,12,16,21,22	1



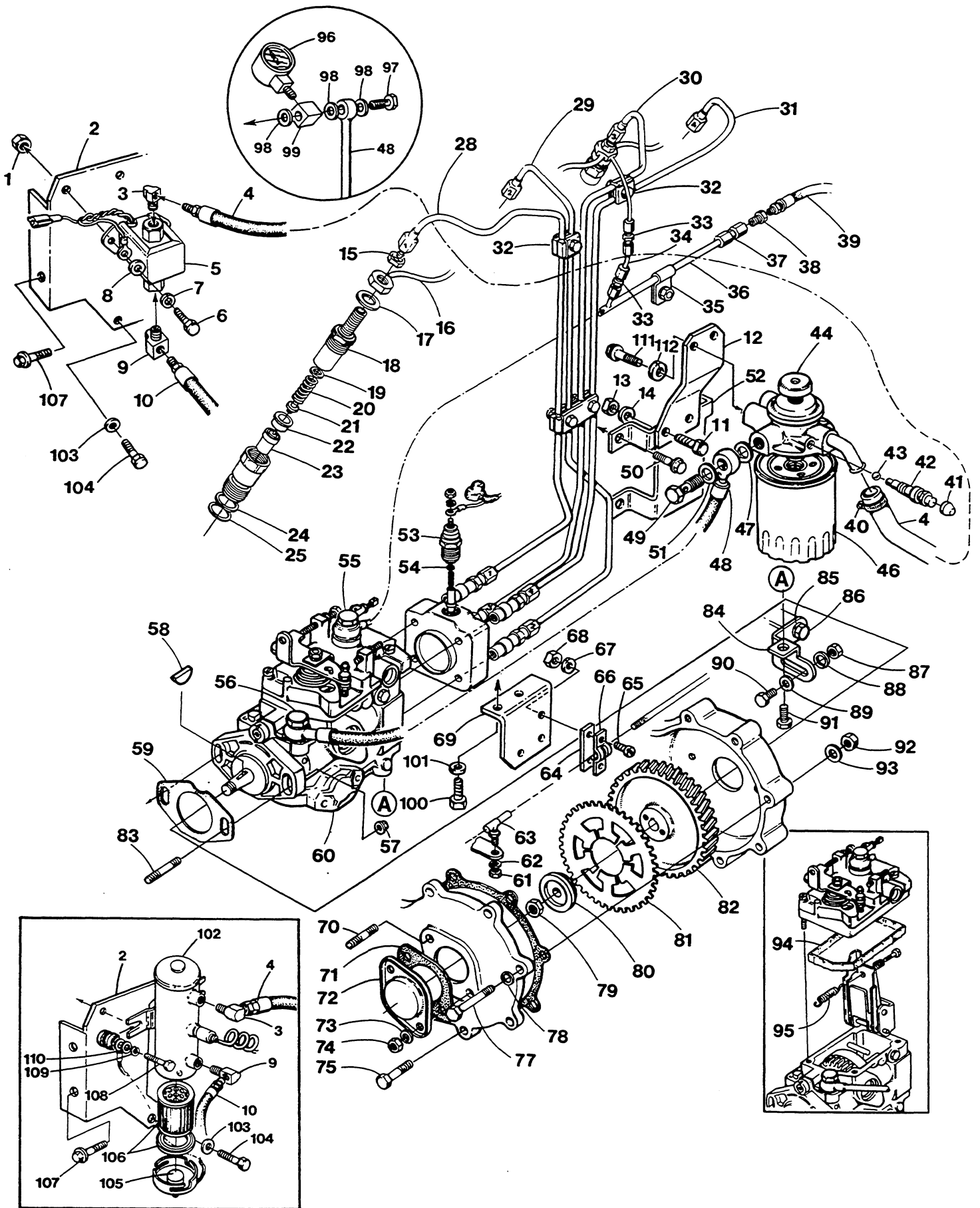
WESTERBEKE 71C - 20.0 BEDA - FRESH WATER PUMP



WESTERBEKE 71C 20.0 BEDA - FRESH WATER PUMP

REF	PN	NAME	REMARKS	QUAN
1	032708	GASKET	PUMP TO BLOCK-SMALL	1
2	032709	GASKET	PUMP TO BLOCK-LARGE	1
3	032710	BODY	FRESH WATER PUMP	1
4		IMPELLER	SEE REF 8	1
5	040364	SEAL		1
6	033648	CAPSCREW	M 8 X 55 JIS-FLANGE	1
7	041376	GASKET	HOUSING TO BODY	1
8	032711	HOUSING	BEARING ASSEMBLY	1
9	033642	CAPSCREW	M 8 X 25 JIS-FLANGE	3
10		SLINGER	SEE REF 8	1
11	033709	CAPSCREW	M 8 X 80 JIS-FLANGE	4
12	024479	PLATE	DUST SEAL	1
13	024414	CIRCLIP		1
14	024568	BEARING		2
15		SHAFT	SEE REF 8	1
16	024477	SPACER	BEARING	1
17	024413	CIRCLIP		1
18	032713	FLANGE	WATER PUMP PULLEY	1
19	031037	PULLEY	1 GROOVE	1
20	013630	CAPSCREW	M 8 X 25 DIN 933	4
21	031786	LOCKWASHER	M 8 DIN 127	4
22	040952	SPACER	FRESH WATER PUMP PULLEY	1

WESTERBEKE 71C - 20.0 BEDA - FUEL SYSTEM



WESTERBEKE 71C - 20.0 BEDA - FUEL SYSTEM

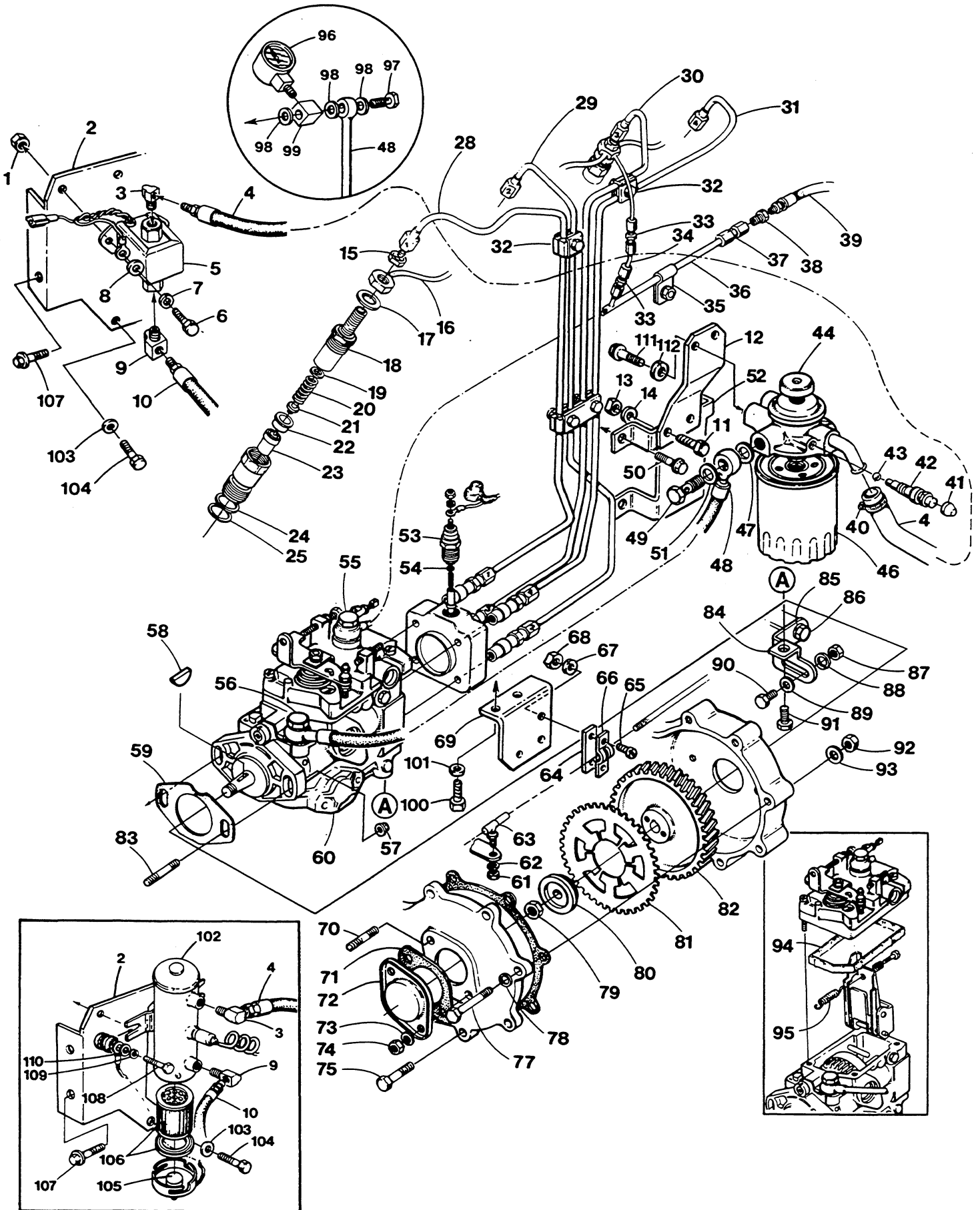
REF	PN	NAME	REMARKS	QUAN
1	015812	NUT	M 6 DIN 934	2
2	033241	BRACKET	FUEL LIFT PUMP	1
3	022513	ELBOW	ADAPTER	1
4	040956	HOSE	LIFT PUMP TO FILTER INCL REF 3	1
5	039275	PUMP	FUEL LIFT 12VDC	1
6	013590	CAPSCREW	M 6 X 30 DIN 933	2
7	031783	LOCKWASHER	M 6 DIN 127	2
8	031784	WASHER	M 6 DIN 125	2
9	013340	ELBOW	1/8NPT STREET 90 BRASS	1
10	030025	HOSE	FUEL SUPPLY	1
11-1	013629	CAPSCREW	M10 X 25 DIN 933 - OFFSET BRACKET	2
11-2	039218	CAPSCREW	M10 X 25 LOW HEAD - FLAT BRACKET	2
12	038898	BRACKET	FUEL FILTER	1
13	015887	NUT	M10 DIN 934	2
14	019262	LOCKWASHER	M10 DIN 127	2
15	041386	NUT	LINE TO INJECTOR	4
16	032745	LINE	INJECTOR RETURN	1
17	031021	GASKET	RETURN LINE TO INJECTOR	4
18	041367	INJECTOR	ASSEMBLY	4
19		SHIM	SEE REF 18	
20		SPRING	SEE REF 18	
21		PUSHROD	SEE REF 18	
22		SEAT	NOZZLE SPRING-SEE REF 18	
23	041368	NOZZLE	INJECTOR	4
24	024454	WASHER	INJECTOR NOZZLE	4
25	014464	WASHER	INJECTOR	4
28	032688	LINE	INJECTOR 1	1
29	032689	LINE	INJECTOR 2	1
30	032690	LINE	INJECTOR 3	1
31	032691	LINE	INJECTOR 4	1
32-1	038910	CLAMP	INJECTOR LINES	2
32-2	038911	CLAMP	INJECTOR LINES - TAPPED THREAD	2
32-3	038914	CAPSCREW	M 5 X 25 DIN 84A PHILLIPS HEAD	2
32-4	031780	LOCKWASHER	M 5 DIN 127	2
33-1	024600	UNION	COMPRESSION INCLUDING NUT AND FERRULE	2
33-2	013344	NUT	COMPRESSION	4
33-3	013343	FERRULE	COMPRESSION	4
34	033059	LINE		1
35	032865	CLAMP	RETURN LINE	1
36	032746	LINE	RETURN	1
37-1	024634	CONNECTOR	LINE TO FUEL HOSE INCL NUT & FERRULE	1
37-2	033097	NUT	COMPRESSION	1
37-3	033096	FERRULE	COMPRESSION	1
38	015289	ADAPTER		1
39	030025	HOSE	FUEL RETURN INCL REF 38	1



WESTERBEKE 71C - 20.0 BEDA - FUEL SYSTEM

REF	PN	NAME	REMARKS	QUAN
40	024906	CLAMP	HOSE 4	1
41	041388	CAP	BLEED SCREW	1
42	041387	SCREW	FILTER BLEED	1
43	042063	BALL	FILTER BLEED	1
44	041366	FILTER	FUEL WITH PRIMING PUMP	1
46	024363	FILTER	FUEL	1
47	030290	WASHER	BANJO M12 - PROPULSION	1
48	035027	HOSE	FILTER TO INJECTION PUMP	1
49	030139	BOLT	BANJO - PROPULSION	1
50	033642	CAPSCREW	M 8 X 25 JIS-FLANGE	2
51-1	030291	WASHER	BANJO M14 - PROPULSION	1
51-2	024972	WASHER	ALUMINUM - PROPULSION	1
52	032697	BRACKET	LIFTING EYE AND FILTER MOUNT	1
53-1	041372	SOLENOID	FUEL SHUT-OFF 12 VDC	1
53-2	041499	SOLENOID	FUEL SHUT-OFF 24 VDC	1
53-3	042112	SOLENOID	FUEL SHUT-OFF 12 VDC UNGROUNDED	1
53-4	042113	SOLENOID	FUEL SHUT-OFF 24 VDC UNGROUNDED	1
54		O-RING	FUEL SOLENOID	1
55-1	024501	BOLT	BANJO - RETURN	1
55-2	024498	WASHER	BANJO	2
56-1	030139	BOLT	BANJO - SUPPLY	1
56-2	024972	WASHER	BANJO - ALUMINUM	2
57	033668	NUT	M 8 JIS-FLANGE	2
58	032904	KEY	WOODRUFF	1
59	024461	GASKET	INJECTION PUMP TO TIMING CASE	1
60	041370	PUMP	FUEL INJECTION	1
61	031847	NUT	10-32 SS	1
62	031849	LOCKWASHER	10 SS	1
63-1	019364	BALLJOINT	THROTTLE CABLE-PROPULSION	1
63-2	024673	BUSHING	REDUCER	1
64	013870	SHIM	THROTTLE CABLE - PROPULSION	1
65	031873	SCREW	10-32 X 5/8 SS BH	2
66	013325	CLAMP	THROTTLE CABLE - PROPULSION	1
67	031849	LOCKWASHER	10 SS	2
68	031847	NUT	10-32 SS	2
69	032269	BRACKET	THROTTLE CABLE	1
70	033678	STUD	M 8 X 12 DIN 939	2
71	024399	GASKET	INJECTION PUMP GEAR COVER	1
72	024398	COVER	INJECTION PUMP GEAR	1
74	033668	NUT	M 8 JIS-FLANGE	2
75	033643	CAPSCREW	M 8 X 30 JIS-FLANGE	2
77	033648	CAPSCREW	M 8 X 55 JIS-FLANGE DOG POINT	2

WESTERBEKE 71C - 20.0 BEDA - FUEL SYSTEM

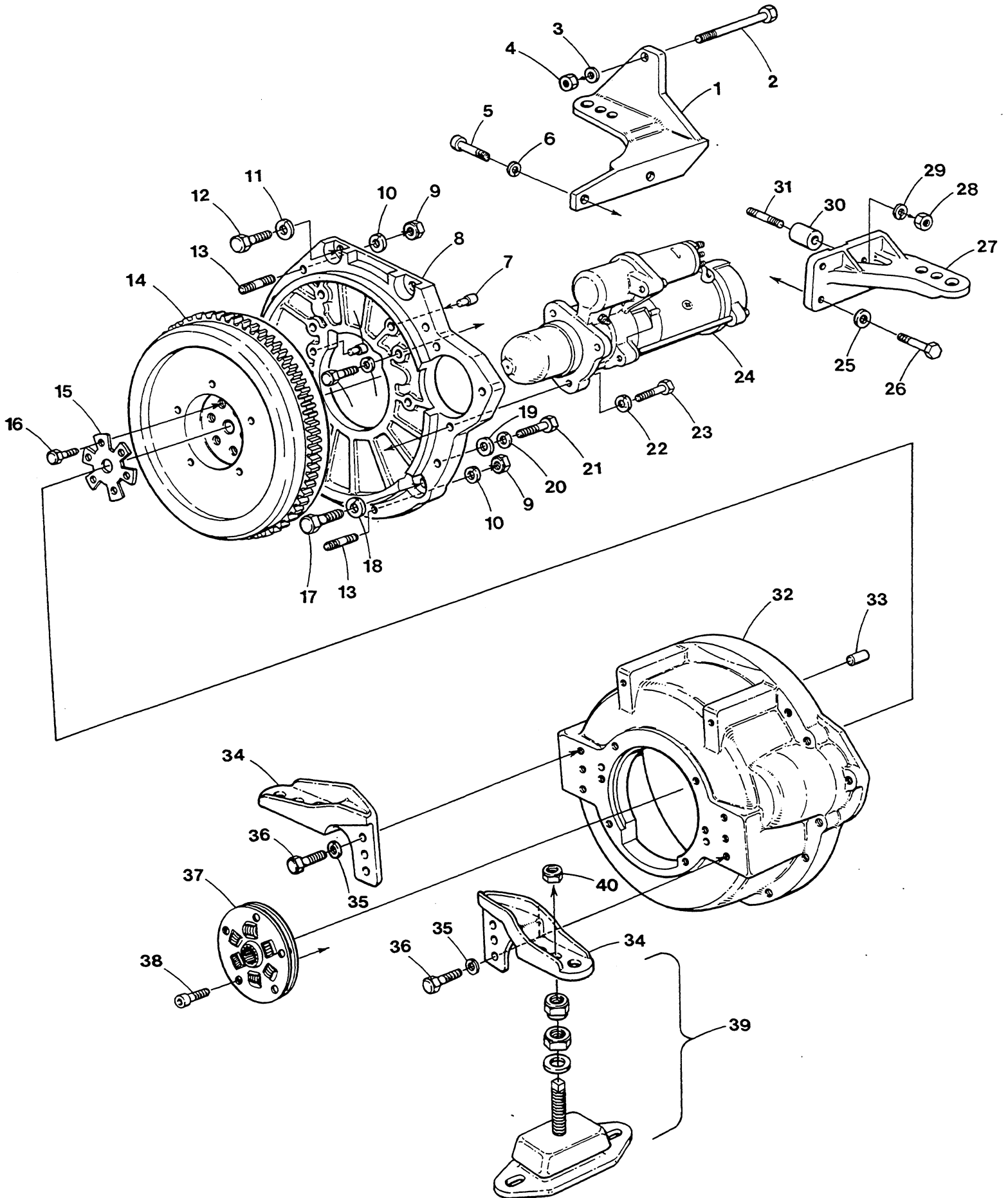


WESTERBEKE 71C - 20.0 BEDA - FUEL SYSTEM

REF	PN	NAME	REMARKS	QUAN
79	032692	NUT	INJECTION PUMP	1
80	032695	WASHER	INJECTION PUMP	1
81	031015	GEAR	FRICTION	1
82	032694	GEAR	INJECTION PUMP DRIVE	1
83	015830	STUD	M 8 X 25 DIN 939	2
84	032693	BRACKET	INJECTION PUMP SUPPORT	1
85	033377	BRACKET	INJECTION PUMP SUPPORT TO BLOCK	1
86	024953	CAPSCREW	M10 X 1.25 X 35 DIN 961	1
87	015887	NUT	M10 DIN 934	1
88	019262	LOCKWASHER	M10 DIN 127	1
89	031789	WASHER	M10 DIN 125	1
90	013629	CAPSCREW	M10 X 25 DIN 933	1
91		CAPSCREW	M10 X 20	2
92	018242	NUT	M 8 DIN 934	2
93	031786	LOCKWASHER	M 8 DIN 127	2
96-1	019369	PLUG	1/8NPT HEX HEAD BRASS	1
96-2	035827	GAUGE	FUEL PRESSURE-GENSET OPTIONAL	1
97	035950	BOLT	BANJO-FUEL PRESSURE GAUGE	1
98	030290	WASHER	BANJO M12	3
99	035949	BANJO	FUEL PRESSURE GAUGE-GENSET	1
100	017012	CAPSCREW	M 6 X 16 DIN 933	2
101	031783	LOCKWASHER	M 6 DIN 127	2
102	033721	PUMP	FUEL LIFT 24 VDC	1
103	031792	LOCKWASHER	M12 DIN 127	1
104	033347	CAPSCREW	M12 X 1.5 X 25 DIN 961	1
105	033792	MAGNET	LIFT PUMP	1
106	030548	ELEMENT	LIFT PUMP FILTER INCLUDING GASKET	1
107	033653	CAPSCREW	M10 X 1.25 X 95 JIS-FLANGE	2
108	031506	CAPSCREW	1/4NC X 1-1/4	2
109	031752	LOCKWASHER	1/4	2
110-1	031753	WASHER	1/4 FLAT	2
110-2	031750	NUT	1/4NC	2
111	024951	CAPSCREW	M10 X 1.25 X 20 DIN 961	2
112	019262	LOCKWASHER	M10 DIN 127	2



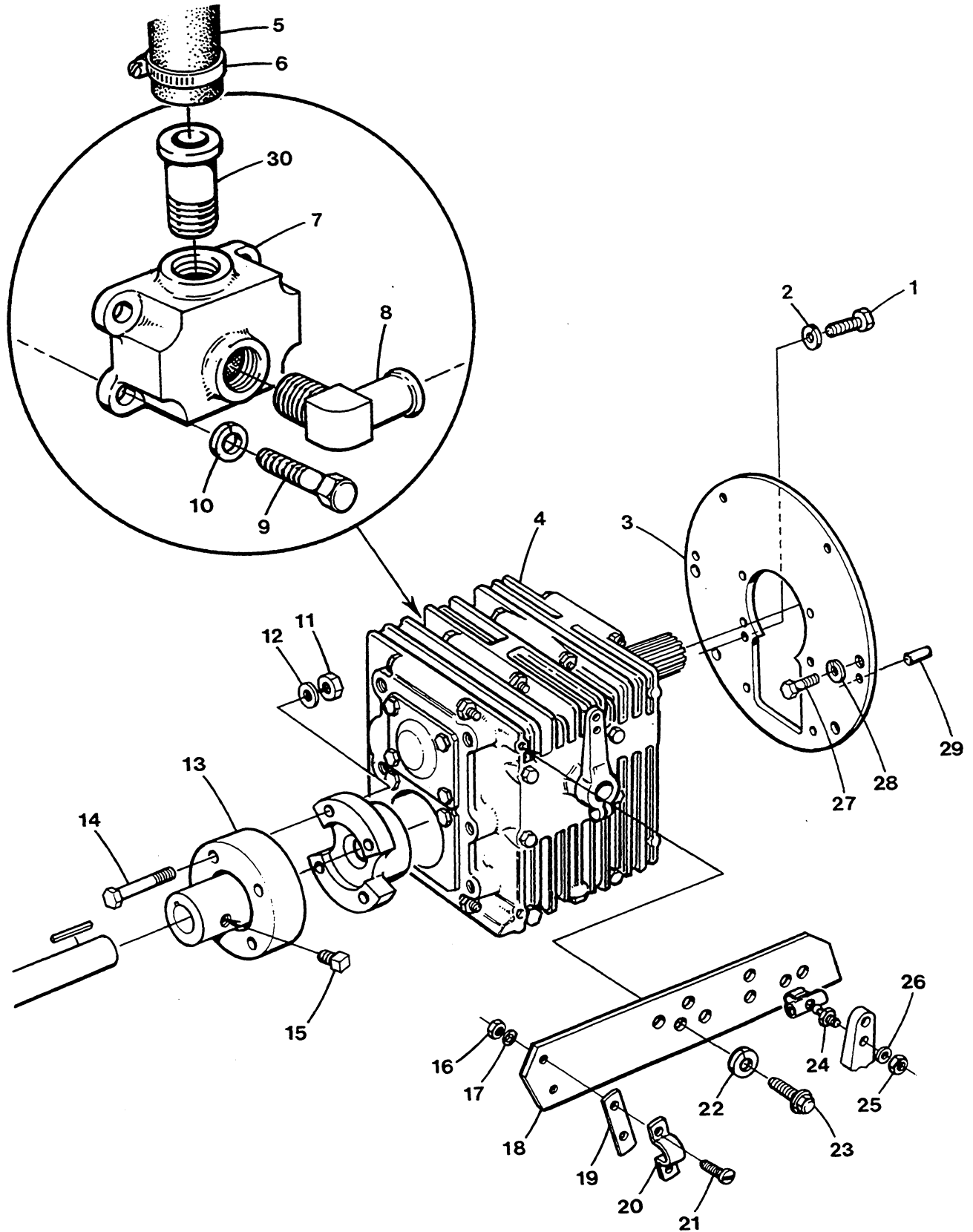
# WESTERBEKE 71C FOUR - BACK END - MOUNTING SYSTEM



WESTERBEKE 71C FOUR - BACK END - MOUNTING SYSTEM

REF	PN	NAME	REMARKS	QUAN
1-1	032256	MOUNT	FRONT LEFT 18.0-22.0-22.5"	1
1-2	041711	MOUNT	FRONT LEFT 18.5-20.0-22.5"	1
2	032506	CAPSCREW	M8 X 60 DIN 933	1
3	031786	LOCKWASHER	M 8 DIN 127	1
4	018242	NUT	M 8 DIN 934	1
5	031083	CAPSCREW	M10 X 1.25 X 30 JIS	2
6	019262	LOCKWASHER	M10 DIN 127	2
7	031154	DOWEL	STEP-BLOCK TO BACKPLATE	2
8	038296	BACKPLATE		1
9	015887	NUT	M10 DIN 934	3
10	019262	LOCKWASHER	M10 DIN 127	3
11	031797	LOCKWASHER	M14 DIN 127	4
12	031223	CAPSCREW	M14 X 1.5 X 30 DIN 961	4
13	037821	STUD	M10 X 30 DIN 939	3
14-1	039089	FLYWHEEL	INCLUDING RING GEAR	1
14-2	038392	GEAR	RING	1
15	036206	TABWASHER		1
16	036138	BOLT	FLYWHEEL M15	6
17	024953	CAPSCREW	M10 X 1.25 X 35 DIN 961	6
18	019262	LOCKWASHER	M10 DIN 127	6
19	031789	WASHER	M10 DIN 125	10
20	019262	LOCKWASHER	M10 DIN 127	4
21	034470	CAPSCREW	M10 X 45 DIN 931	4
22	019262	LOCKWASHER	M10 DIN 127	3
23	034833	CAPSCREW	M10 X 60 DIN 912 FULLY THREADED	3
24	038384	MOTOR	STARTER 12 VDC	1
25	019262	LOCKWASHER	M10 DIN 127	2
26	031083	CAPSCREW	M10 X 1.25 X 30 JIS	2
27-1	032258	MOUNT	FRONT RIGHT 18.0-20.0-22.5"	1
27-2	041713	MOUNT	FRONT RIGHT 18.5-20.0-22.5"	1
28	031795	NUT	M12 X 1.5 DIN 934	1
29	031792	LOCKWASHER	M12 DIN 127	1
30	040544	SPACER		1
31	032916	STUD		1
32	038376	HOUSING	FLYWHEEL	1
33	019039	DOWEL	3/8 X 3/4	2
34-1	038578	MOUNT	REAR 18.0-20.0-22.5"	2
34-2	041719	MOUNT	REAR 18.5-20.0-22.5"	2
35	019262	LOCKWASHER	M10 DIN 127	6
36	034589	CAPSCREW	M10 X 30 DIN 933	6
37	011618	DAMPER	HBW OR WARNER	1
38	024778	CAPSCREW	DAMPER TO FLYWHEEL	5
39	040512	ISOLATOR		4
40	040966	NUT	M16 JAM SELF-LOCKING	4

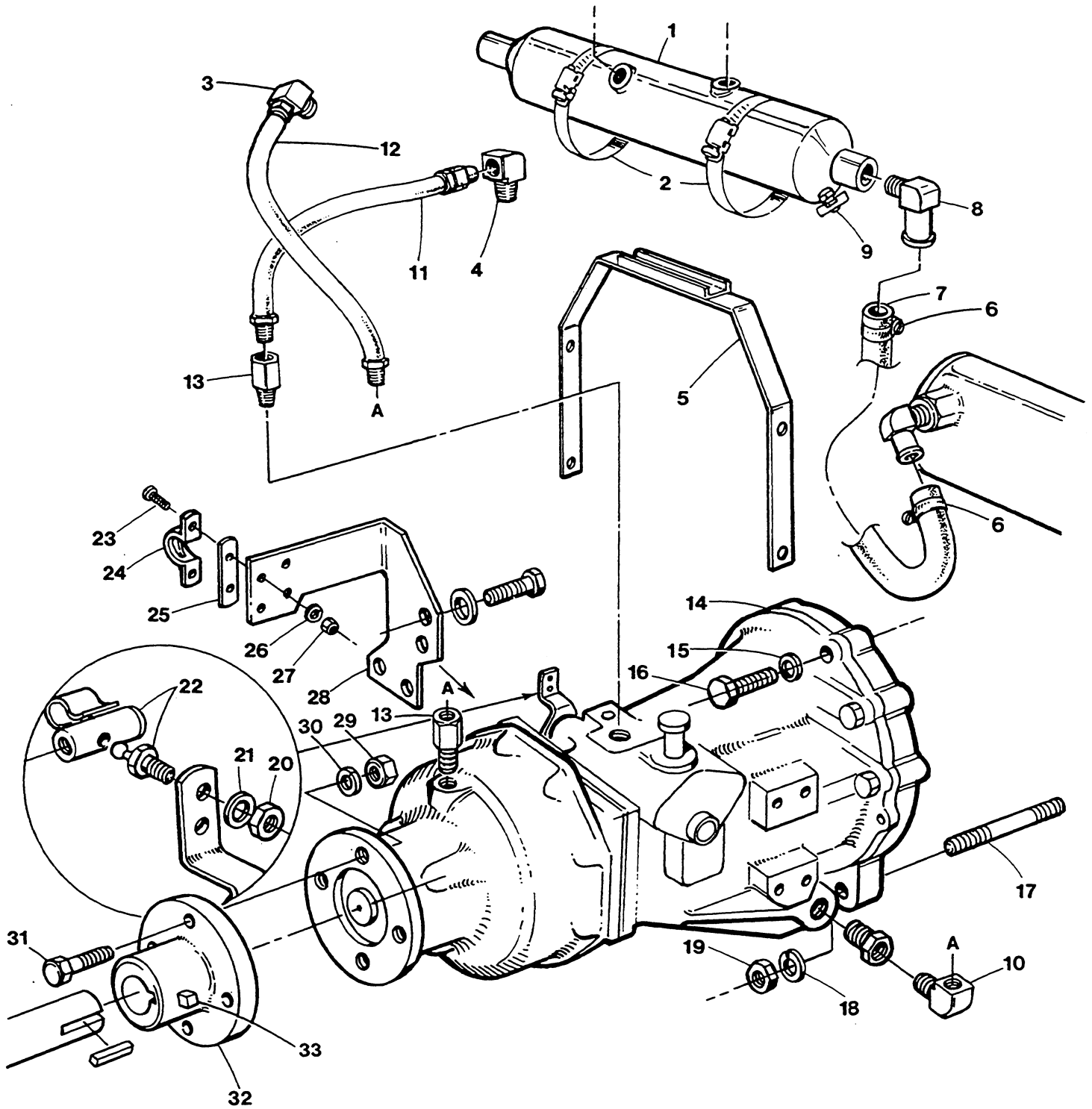
WESTERBEKE 71C FOUR - MODEL HBW 250 TRANSMISSION



WESTERBEKE 71C FOUR - MODEL HBW 250 TRANSMISSION

REF	PN	NAME	REMARKS	QUAN
1	018813	CAPSCREW	M10 X 20 DIN 933	6
2	031790	LOCKWASHER	M10 DIN 137-B	6
3	038442	ADAPTER	HBW 250 GEAR TO HOUSING	1
4-1	032564	GEAR	HBW250 1.5:1	1
4-2	032565	GEAR	HBW250 1.9:1	1
4-3	032566	GEAR	HBW250 2.7:1	1
5	011779	HOSE	1" ID WIRE INSERTED - INCHES REQUIRED	24
6	011405	CLAMP	HOSE 16	2
7	040036	COOLER	HBW TRANSMISSION	1
8	036614	ELBOW	3/4NPT X 1" HOSE	1
9	017196	CAPSCREW	M 8 X 20 DIN 933	4
10	031786	LOCKWASHER	M 8 DIN 127	4
11	024950	NUT	M10 X 1.25 DIN 934	4
12	019262	LOCKWASHER	M10 DIN 127	4
13-1	023706	COUPLING	HBW 0.75 IN BORE	1
13-2	023707	COUPLING	HBW 0.875 IN BORE	1
13-3	023708	COUPLING	HBW 1.0 IN BORE	1
13-4	023709	COUPLING	HBW 1.125 IN BORE	1
13-5	023710	COUPLING	HBW 1.25 IN BORE	1
13-6	023711	COUPLING	HBW 1.375 IN BORE	1
13-7	023712	COUPLING	HBW 1.5 IN BORE	1
14	031228	CAPSCREW	M10 X 1.25 X 30 DIN 961	4
15	023652	SETSCREW	COUPLING 3/8NC X 1	2
16	031847	NUT	10-32 HEX SS	2
17	031849	LOCKWASHER	10 SS	2
18	032161	BRACKET	SHIFT CABLE	1
19	013870	SHIM	SHIFT CABLE	1
20	013325	CLAMP	SHIFT CABLE	1
21	031873	SCREW	10-32 X 5/8 SS	2
22	031786	LOCKWASHER	M 8 DIN 127	2
23	020650	CAPSCREW	M 8 X 18 DIN 933	2
24	033482	BALLJOINT	SHIFT CABLE	1
25	031754	NUT	1/4 NF	1
26	031752	LOCKWASHER	1/4	1
27	031656	CAPSCREW	7/16NC X 1-1/4	6
28	031770	LOCKWASHER	7/16	6
29	013919	DOWEL	ADAPTER TO HOUSING	2
30	036622	NIPPLE	3/4NPT X 1" HOSE	1

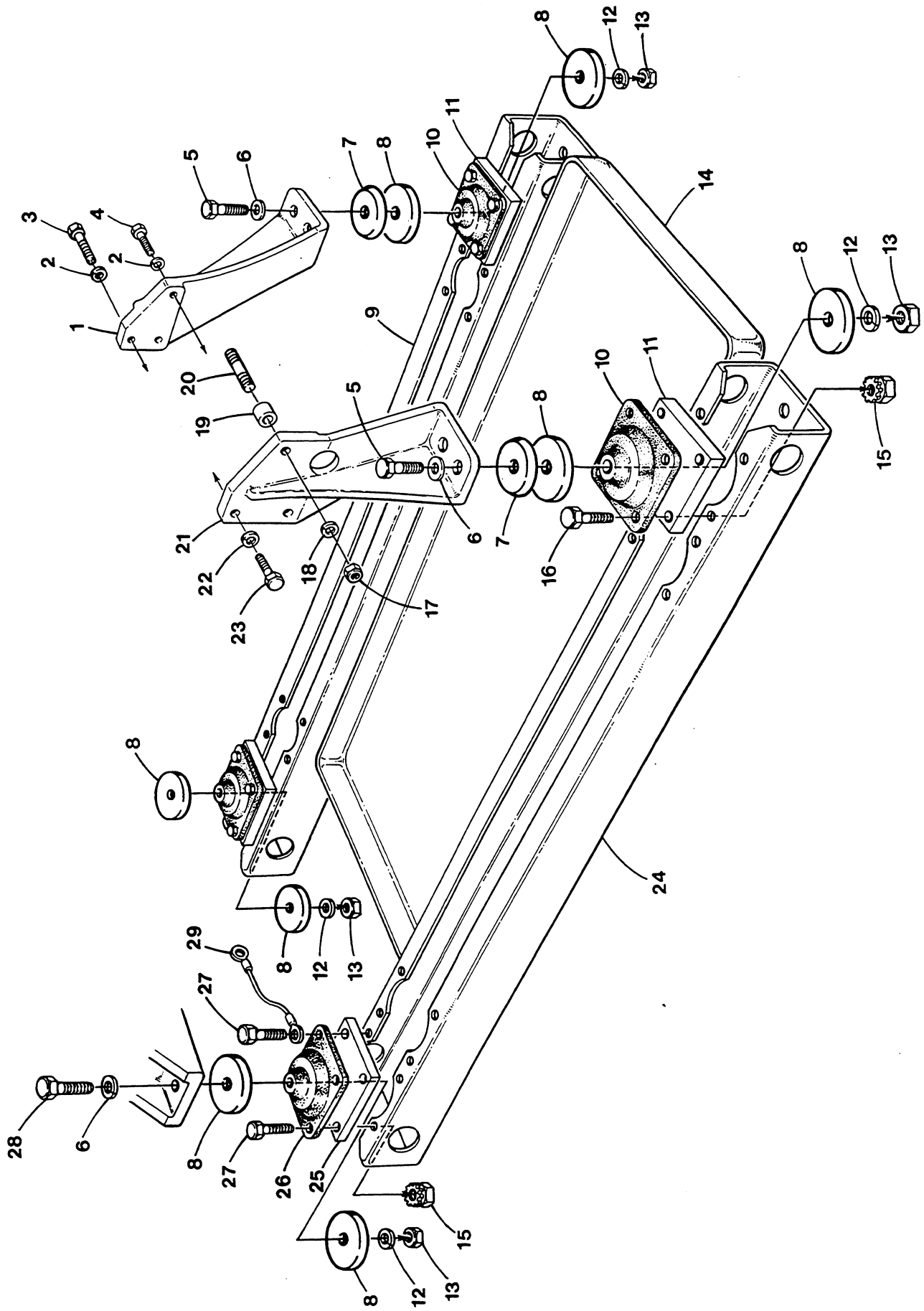
WESTERBEKE 71C FOUR - WARNER TRANSMISSION



WESTERBEKE 71C FOUR - WARNER TRANSMISSION

REF	PN	NAME	REMARKS	QUAN
1	036650	COOLER	OIL	1
2	011411	CLAMP	HOSE 32 - MOUNT COOLER TO BRACKET	2
3	013330	ELBOW	COOLER TO HOSE	1
4	013338	ELBOW	3/8NPT STREET 90 BRAS	1
5	013057	BRACKET	COOLER MOUNT TO TRANSMISSION	1
6	011405	CLAMP	HOSE 16	2
7	011779	HOSE	1" ID WIRE INSERTED - INCHES REQUIRED	16
8	036614	ELBOW	3/4NPT X 1" HOSE	2
9	011471	PETCOCK	1/8NPT	1
10	013330	ELBOW	HOSE TO TRANSMISSION	1
11	011921	HOSE	OIL	1
12-1	022114	HOSE	OIL - 1:1 AND 2:1 TRANSMISSION	1
12-2	023567	HOSE	OIL - REDUCTION TRANSMISSION EXCEPT 2:1	1
13-1	013348	CONNECTOR	HOSE TO TRANSMISSION EXCEPT 2:1	1
13-2	013348	CONNECTOR	HOSE TO 2:1 TRANSMISSION	2
14-1	011630	GEAR	HYDRAULIC 1:1	1
14-2	011631	GEAR	HYDRAULIC 1.5:1	1
14-3	037297	GEAR	HYDRAULIC 1.9:1 OPPOSITE ROTATION	1
14-4	011632	GEAR	HYDRAULIC 2:1	1
14-5	011632	GEAR	HYDRAULIC 2.5:1	1
14-6	011634	GEAR	HYDRAULIC 3:1	1
15	031770	LOCKWASHER	7/16	4
16	031665	CAPSCREW	7/16NC X 3-1/2	4
17	023467	STUD	7/16NC X 4	2
18	031770	LOCKWASHER	7/16	2
19	031768	NUT	7/16NC	2
20	031754	NUT	1/4NF	1
21	031752	LOCKWASHER	1/4	1
22	033482	BALLJOINT	SHIFT CABLE	1
23	031873	SCREW	10-32 X 5/8 SS	2
24	013325	CLAMP	SHIFT CABLE	1
25	013870	SHIM	SHIFT CABLE	1
26	031849	LOCKWASHER	10 SS	2
27	031847	NUT	10-32 HEX SS	2
28	032315	BRACKET	SHIFT CABLE	1
29	031768	NUT	7/16NC	4
30	031770	LOCKWASHER	7/16	4
31	031655	CAPSCREW	7/16NC X 1	4
32- 1	023706	COUPLING	DIRECT DRIVE 0.75 IN BORE	1
32- 2	023707	COUPLING	DIRECT DRIVE 0.875 IN BORE	1
32- 3	023708	COUPLING	DIRECT DRIVE 1.0 IN BORE	1
32- 4	023709	COUPLING	DIRECT DRIVE 1.125 IN BORE	1
32- 5	023710	COUPLING	DIRECT DRIVE 1.25 IN BORE	1
32- 6	023711	COUPLING	DIRECT DRIVE 1.375 IN BORE	1
32- 7	023712	COUPLING	DIRECT DRIVE 1.5 IN BORE	1
32- 8	011961	COUPLING	REDUCTION 1.0 IN BORE	1
32- 9	011962	COUPLING	REDUCTION 1.125 IN BORE	1
32-10	011963	COUPLING	REDUCTION 1.25 IN BORE	1
32-11	011964	COUPLING	REDUCTION 1.375 IN BORE	1
32-12	023609	COUPLING	REDUCTION 1.5 IN BORE	1
32-13	039323	COUPLING	REDUCTION 1.75 IN BORE	1
33-1	023652	SETSCREW	COUPLING 3/8NC X 1	2
33-2	023653	SETSCREW	COUPLING 3/8NC X 1-1/4	2

WESTERBEKE 20.0 BEDA - MOUNTING SYSTEM

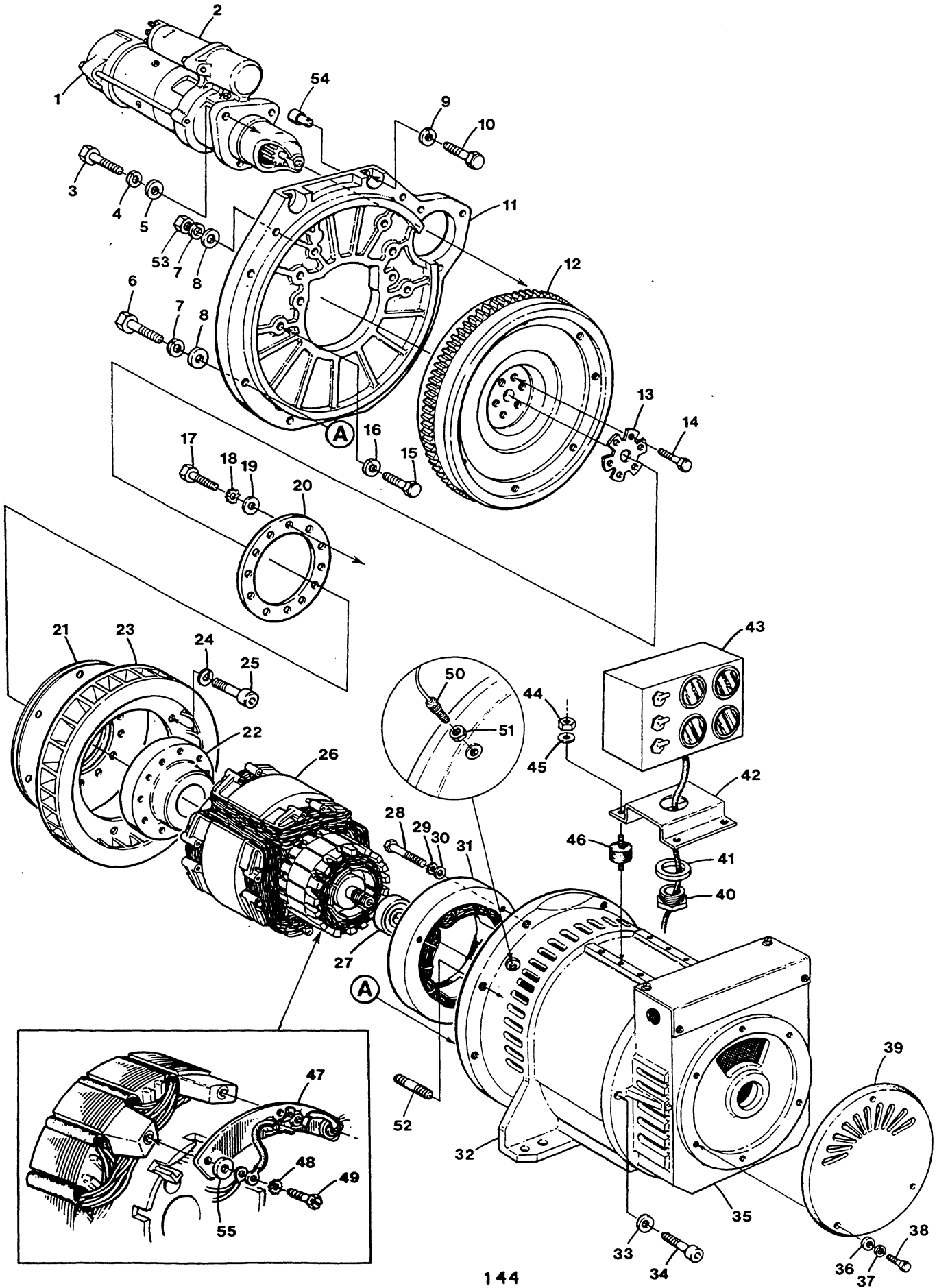


WESTERBEKE 20.0 BEDA - MOUNTING SYSTEM

REF	PN	NAME	REMARKS	QUAN
1	038682	MOUNT	FRONT LEFT	1
2	019262	LOCKWASHER	M10 DIN 127	3
3	024953	CAPSCREW	M10 X 1.25 X 35 DIN 961	1
4	031083	CAPSCREW	M10 X 1.25 X 30 JIS	2
5	031717	CAPSCREW	1/2NC X 4	2
6	031777	WASHER	1/2 FLAT	4
7	033530	SHIELD	ISOLATOR	2
8	024674	WASHER	ISOLATOR SNUBBING	8
9	024701	RAIL	LEFT	1
10	015238	ISOLATOR	FRONT	2
11	037792	SPACER	ISOLATOR TO RAIL	2
12	031776	LOCKWASHER	1/2	4
13	031774	NUT	1/2NC	4
14	038698	DRIPTRAY		1
15	200127	NUT	5/16NC KEPS	16
16	031559	CAPSCREW	5/16NC X 2	8
17	031795	NUT	M12 X 1.5 DIN 934	1
18	031792	LOCKWASHER	M12 DIN 127	1
19	040544	SPACER		1
20	032916	STUD	M12 X 1.5 X 48	1
21	038684	MOUNT	FRONT RIGHT	1
22	019262	LOCKWASHER	M10 DIN 127	2
23	031083	CAPSCREW	M10 X 1.25 X 30 JIS	2
24	039274	RAIL	RIGHT	1
25	035271	SPACER	ISOLATOR TO RAIL	2
26	015239	ISOLATOR	REAR	2
27	031557	CAPSCREW	5/16NC X 1-1/2	8
28	031718	CAPSCREW	1/2NC X 4-1/4	2
29	034713	STRAP	GROUND RAIL TO GENSET	1



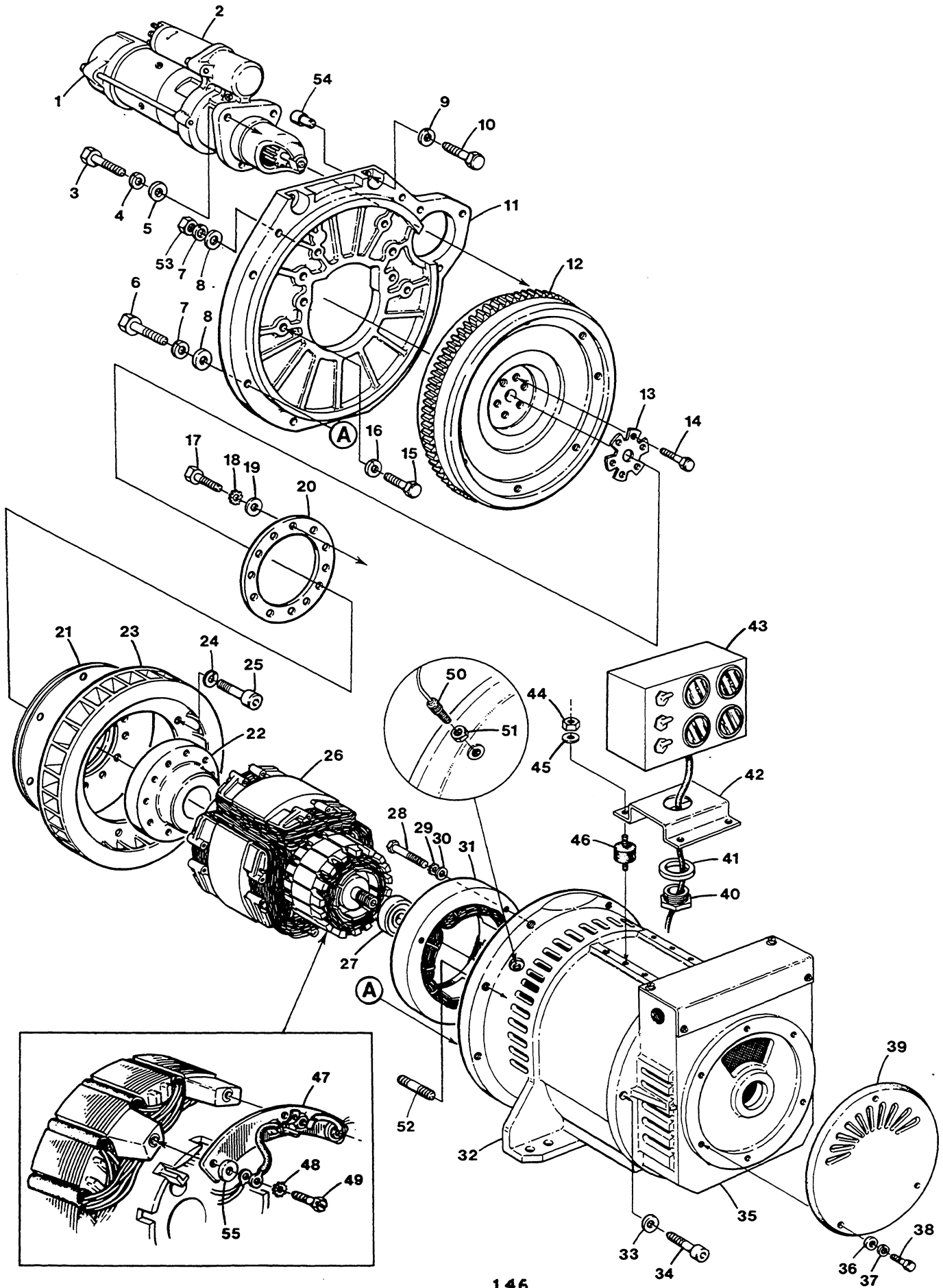
WESTERBEKE 20.0 BEDA - BACK END - GENERATOR



WESTERBEKE 20.0 BEDA - BACK END - GENERATOR

REF	PN	NAME	REMARKS	QUAN
1	038384	MOTOR	STARTER 12 VDC	1
2	039523	SOLENOID	STARTER MOTOR 38384 12 VDC	1
3	013631	CAPSCREW	M10 X 55 DIN 933	3
4	019262	LOCKWASHER	M10 DIN 127	3
5	031789	WASHER	M10 DIN 125	4
6	034470	CAPSCREW	M10 X 45 DIN 931	4
7	019262	LOCKWASHER	M10 DIN 127	7
8	031789	WASHER	M10 DIN 125	7
9	031797	LOCKWASHER	M14 DIN 127	3
10	031223	CAPSCREW	M14 X 1.5 X 30 DIN 961	4
11	038296	BACKPLATE		1
12-1	038395	FLYWHEEL	INCLUDING RING GEAR	1
12-2	038392	GEAR	RING	1
13	036206	TABWASHER		1
14	036138	BOLT	FLYWHEEL M15	6
15	024953	CAPSCREW	M10 X 1.25 X 35 DIN 961	6
16	019262	LOCKWASHER	M10 DIN 127	6
17	013629	CAPSCREW	M10 X 25 DIN 933	10
18	019262	LOCKWASHER	M10 DIN 127	10
19	031789	WASHER	M10 DIN 125	10
20	039869	PLATE	DRIVE DISC TO HUB	1
21	039785	DISC	DRIVE	4
22	039668	HUB	DRIVE	1
23	039637	FAN		1
24	019262	LOCKWASHER	M10 DIN 127	8
25	039318	CAPSCREW	M10 X 25 DIN 912	8
26-1	039636	ARMATURE	1 PHASE	1
26-2	039784	ARMATURE	3 PHASE	1
27	039638	BEARING	BALL	1
28	030146	CAPSCREW	M 6 X 55 DIN 931	3
29	031783	LOCKWASHER	M 6 DIN 127	3
30	031784	WASHER	M6 DIN 125	3
31	039639	STATOR	EXCITER	1
32-1	039630	GENERATOR	1 PHASE	1
32-2	039665	STATOR	1 PHASE	1
32-3	039642	STATOR	INCLUDING HOUSING 1 PHASE	1
32-4	039868	GENERATOR	3 PHASE	1
32-5	039870	STATOR	3 PHASE	1
32-6	039873	STATOR	INCLUDING HOUSING 3 PHASE	1
33	031915	LOCKWASHER	M10 DIN 6797A	3
34	039871	CAPSCREW	M10 X 35 DIN 912	3
35	039669	HOUSING	GENERATOR END	1

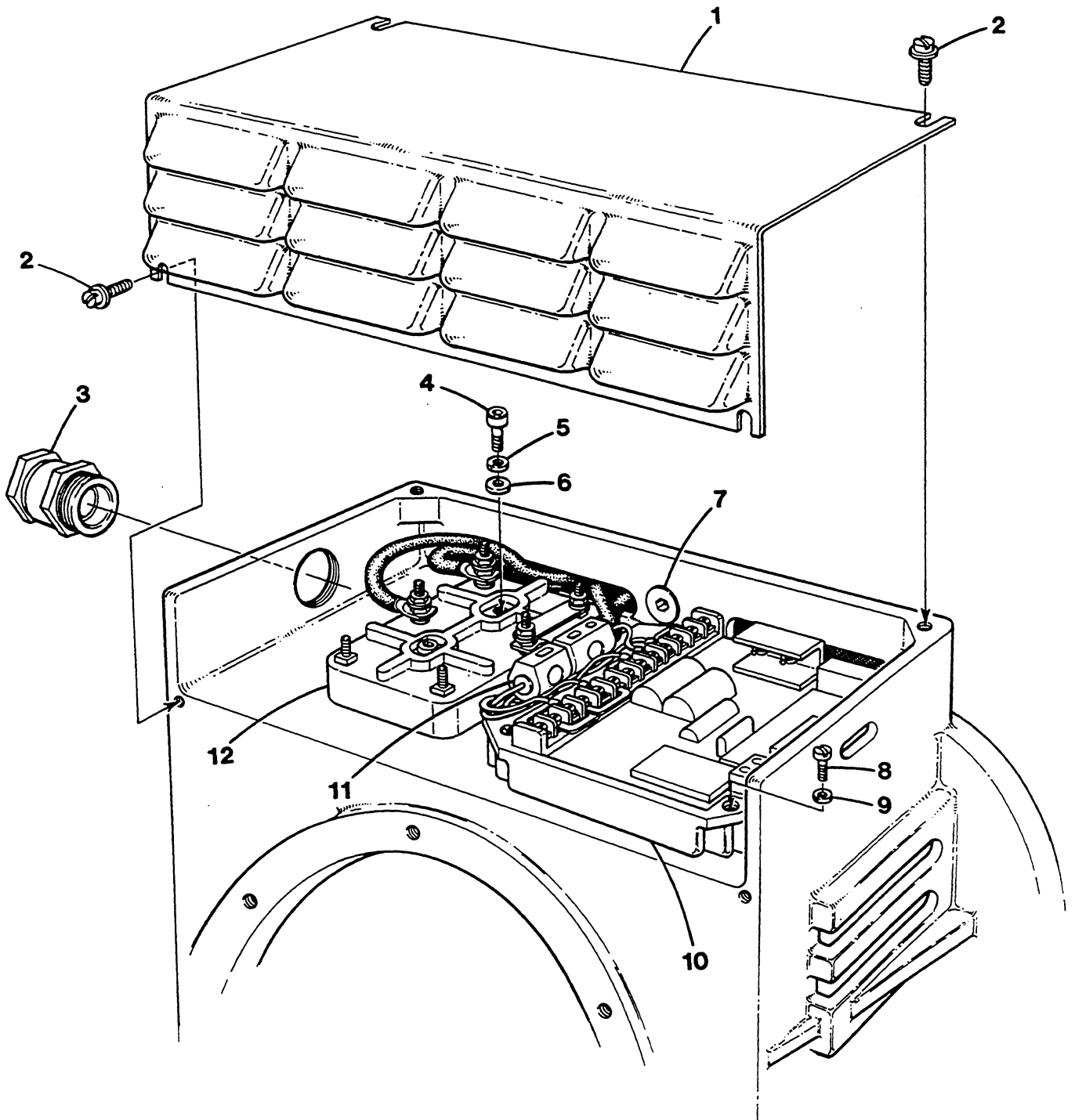
WESTERBEKE 20.0 BEDA - BACK END - GENERATOR



WESTERBEKE 20.0 BEDA - BACK END - GENERATOR

REF	PN	NAME	REMARKS	QUAN
36	031789	WASHER	M10 DIN 125	3
37	019262	LOCKWASHER	M10 DIN 127	3
38	013629	CAPSCREW	M10 X 25 DIN 933	3
39	039074	COVER	PTO	1
40	036464	NIPPLE	CHASE INCLUDED WITH PANEL BOX ASEMBLY	1
41	036492	RING	SEALING INCLUDED WITH PANEL BOX ASSEMBLY	1
42	036730	BRACKET	PANEL MOUNT INCLUDED WITH PANEL BOX ASSY	1
43		PANEL	REFER TO PANEL PAGE	1
44	015812	NUT	M 6 DIN 934	4
45	031783	LOCKWASHER	M 6 DIN 127	4
46	036652	ISOLATOR	PANEL MOUNT	4
47	039666	DIODE	ASSEMBLY	3
48	031914	LOCKWASHER	M 5 DIN 6797A	9
49	031931	SCREW	M 5 X 16 DIN 84A	9
50	039172	SENSOR	MAGNETIC	1
51		NUT		1
52	037821	STUD	M10 X 30 DIN 939	3
53	015887	NUT	M10 DIN 934	3
54	031154	DOWEL	STEP	2
55	042089	WASHER	INSULATING	9

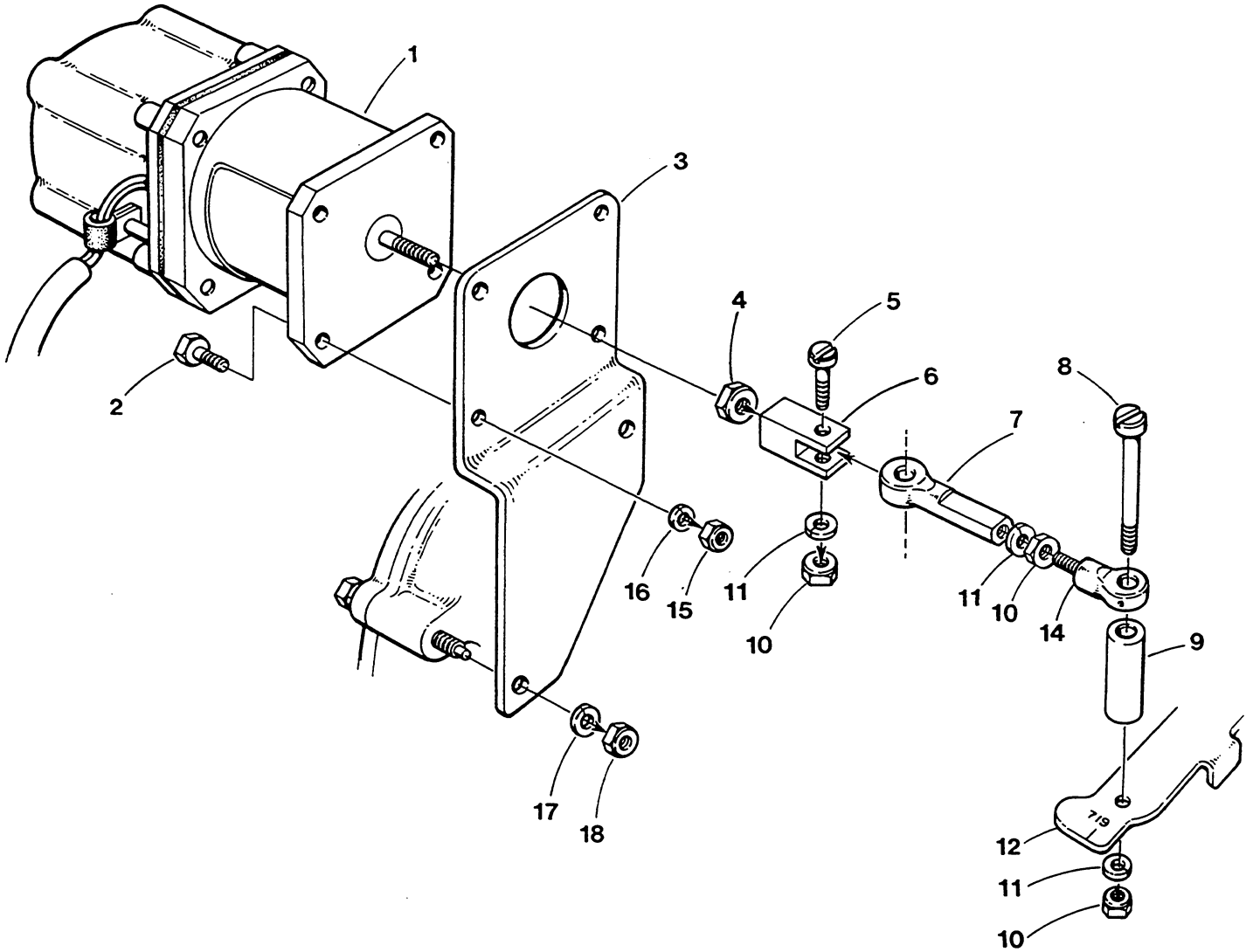
WESTERBEKE 20.0 BEDA - AC OUTPUT AND REGULATOR



WESTERBEKE 20.0 BEDA - AC OUTPUT AND REGULATOR

REF	PN	NAME	REMARKS	QUAN
1	038985	COVER	AC OUTPUT	1
2	031918	SCREW	M 5 X 10 DIN 84A	4
3	036737	CONNECTOR	BOX 1-1/2 - AC OUTPUT LEADS	1
4	039874	CAPSCREW	M 6 X 20 DIN 912	2
5	031783	LOCKWASHER	M 6 DIN 127	2
6	031784	WASHER	M 6 DIN 125	2
7	039872	CAPSCREW	M10 X 35 DIN 7991	1
8	039875	SCREW	M4 X 25 DIN 84A	4
9	031917	LOCKWASHER	M 4 DIN 6797A	4
10	039640	REGULATOR	VOLTAGE	1
11-1	039667	HOLDER	FUSE	1
11-2	038471	FUSE		1
12-1	039632	BLOCK	TERMINAL AC OUTPUT	1
12-2	039633	BAR	BUSS	AR
12-3	039634	NUT	M 8 BRASS	AR
13-1	039306	LABEL	AC OUTPUT 1 PHASE	1
13-2	039686	LABEL	AC OUTPUT 3 PHASE	1
14-1	039152	KIT	AC OUTPUT CIRCUIT BREAKER 1 PHASE 60 HZ	1
14-2	039697	KIT	AC OUTPUT CIRCUIT BREAKER 1 PHASE 50 HZ	1

WESTERBEKE 20.0 BEDA - ELECTRONIC GOVERNOR ACTUATOR

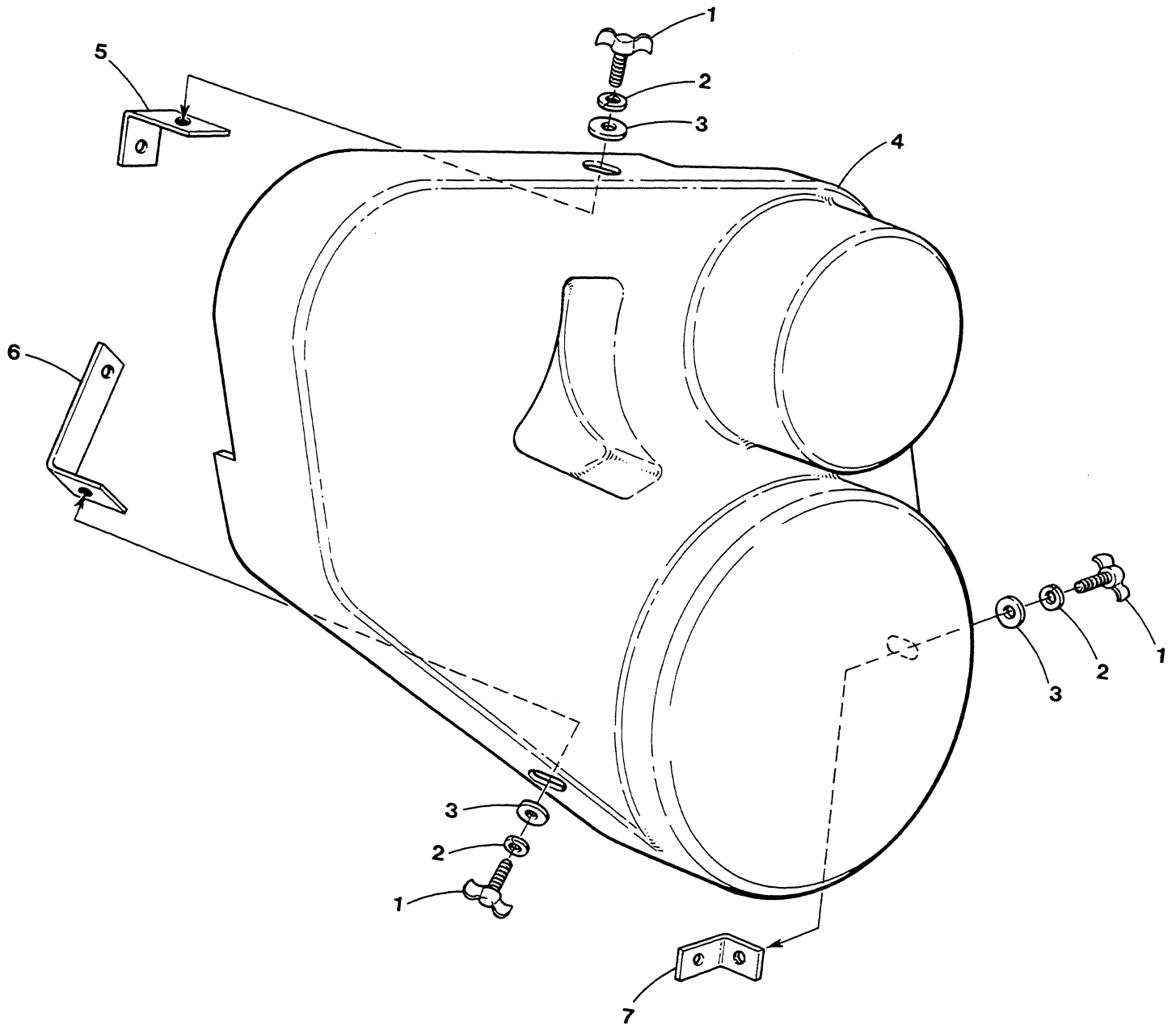


WESTERBEKE 20.0 BEDA - ELECTRONIC GOVERNOR ACTUATOR

REF	PN	NAME	REMARKS	QUAN
1-1	303007	ACTUATOR	GOVERNOR 12 VDC	1
1-2	039746	ACTUATOR	GOVERNOR 24 VDC	1
2	018804	CAPSCREW	M 6 X 20 DIN 933	4
3	039161	BRACKET	ACTUATOR	1
4	031801	NUT	M 6 DIN 439 JAM	1
5	031875	SCREW	10-32 X 7/8 SS	1
6	303009	CLEVIS	ACTUATOR	1
7	303012	BALLJOINT		1
8	039470	SCREW	10-32 X 1-3/4 SS	1
9	040955	SPACER		1
10	031847	NUT	10-32 SS	3
11	031849	LOCKWASHER	10 SS	3
12	040514	LEVER	THROTTLE	1
13	031871	SCREW	10-32 X 3/8 SS	1
14	039390	BALLJOINT		1
15	015812	NUT	M 6 DIN 934	4
16	031783	LOCKWASHER	M 6 DIN 127	4
17	031786	LOCKWASHER	M 8 DIN 127	2
18	018242	NUT	M 8 DIN 934	2

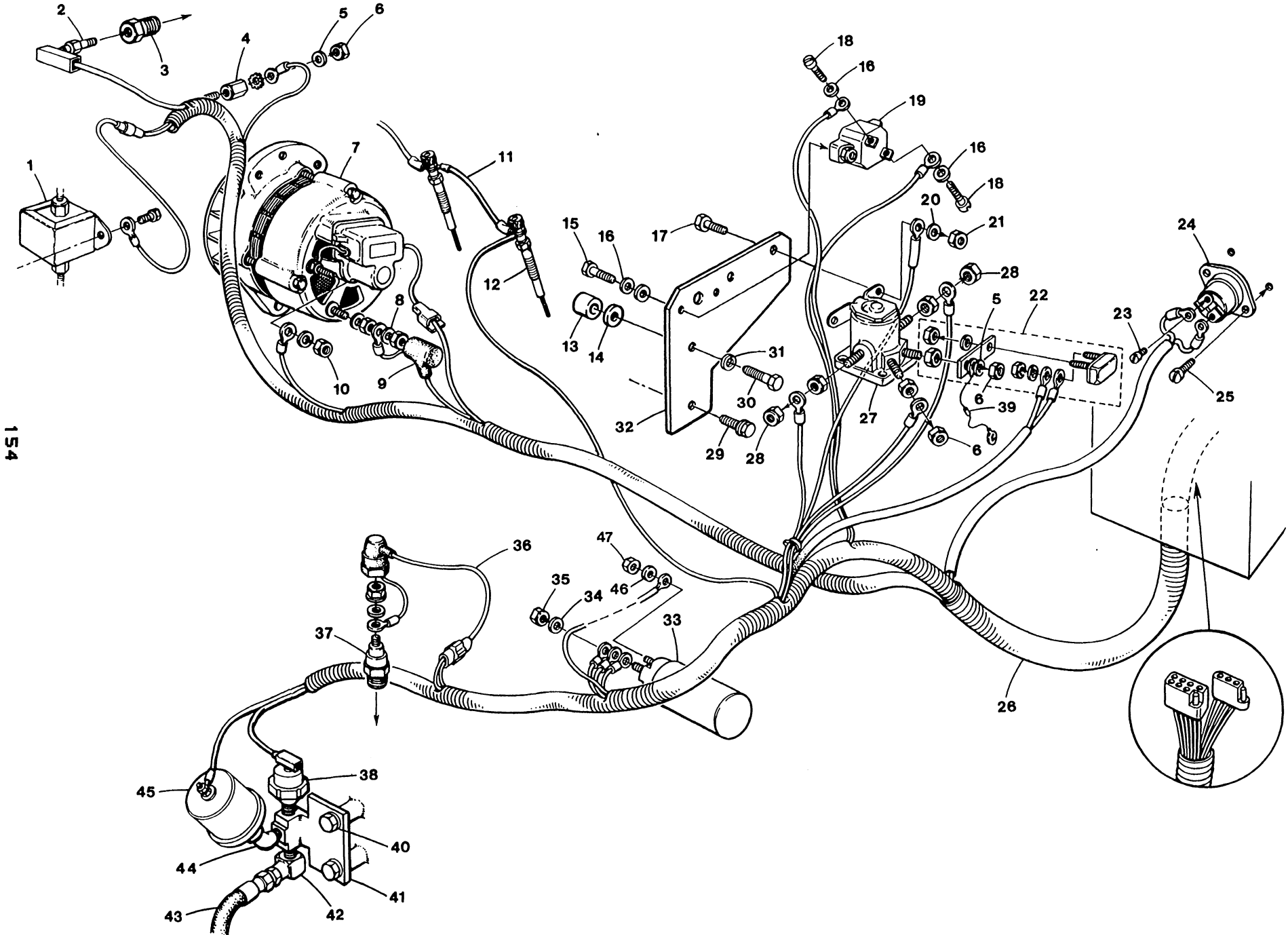


WESTERBEKE 20.0 BEDA - BELT GUARD



WESTERBEKE 20.0 BEDA - BELT GUARD

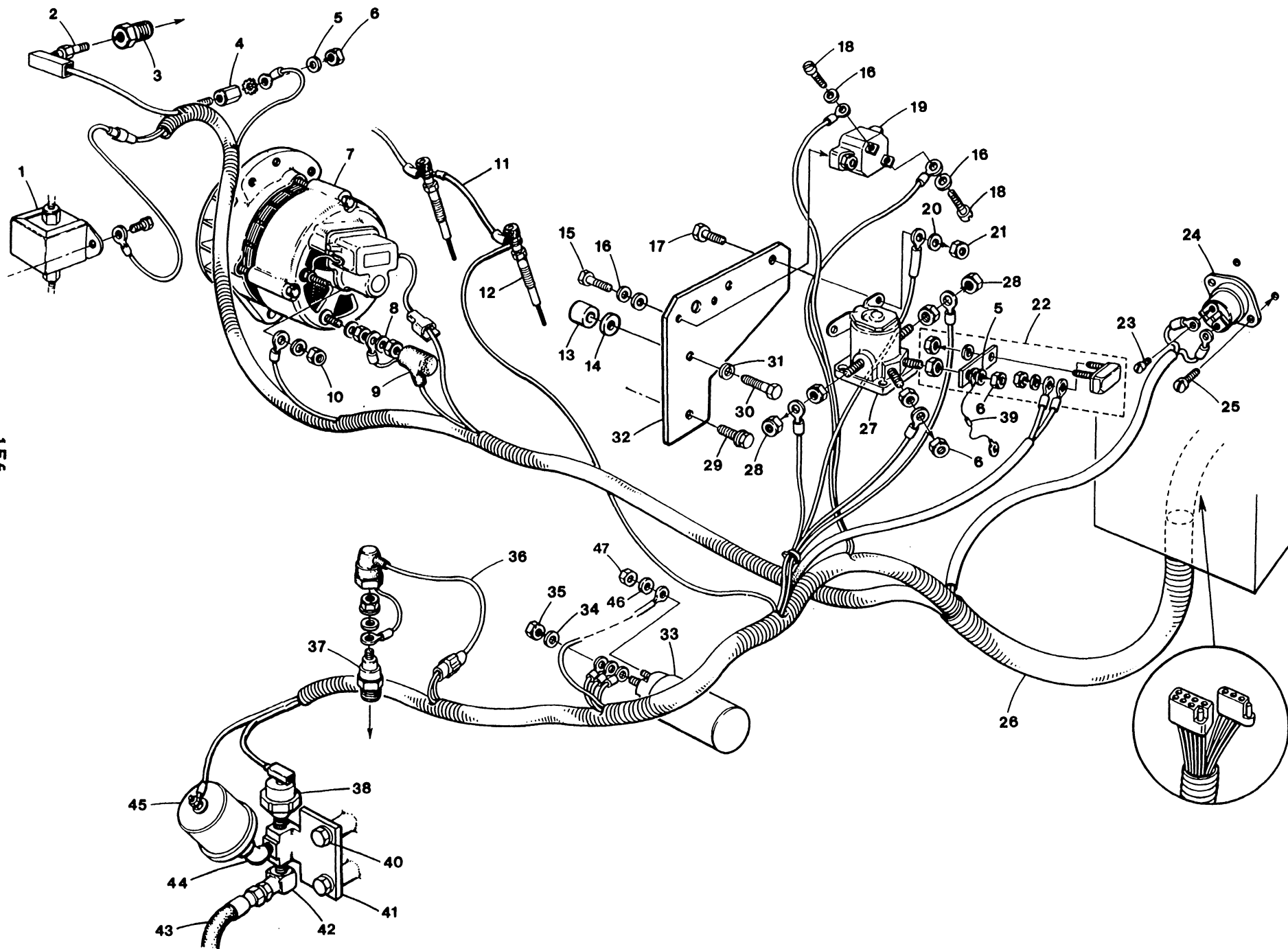
REF	PN	NAME	REMARKS	QUAN
1	033228	WINGSCREW	10-32 X 1/2	3
2	031849	LOCKWASHER	10 SS	3
3	033372	WASHER	FLAT	3
4	039079	GUARD	GENSET BELT	1
5	033380	BRACKET	BELT GUARD	1
6	037827	BRACKET	BELT GUARD	1
7	033380	BRACKET	BELT GUARD	1



WESTERBEKE 71C - 20.0 BEDA - ELECTRICAL SYSTEM

WESTERBEKE 71C - 20.0 BEDA - ELECTRICAL SYSTEM

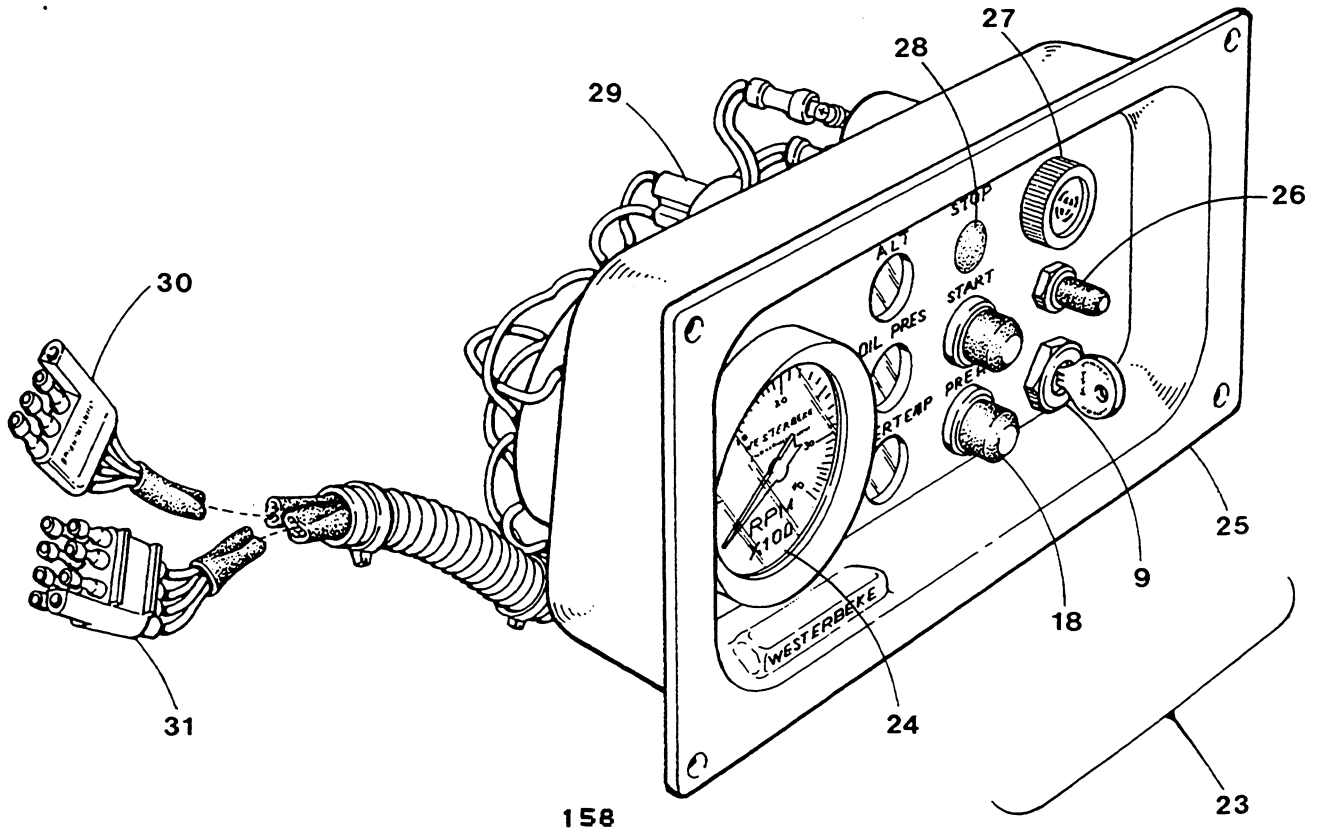
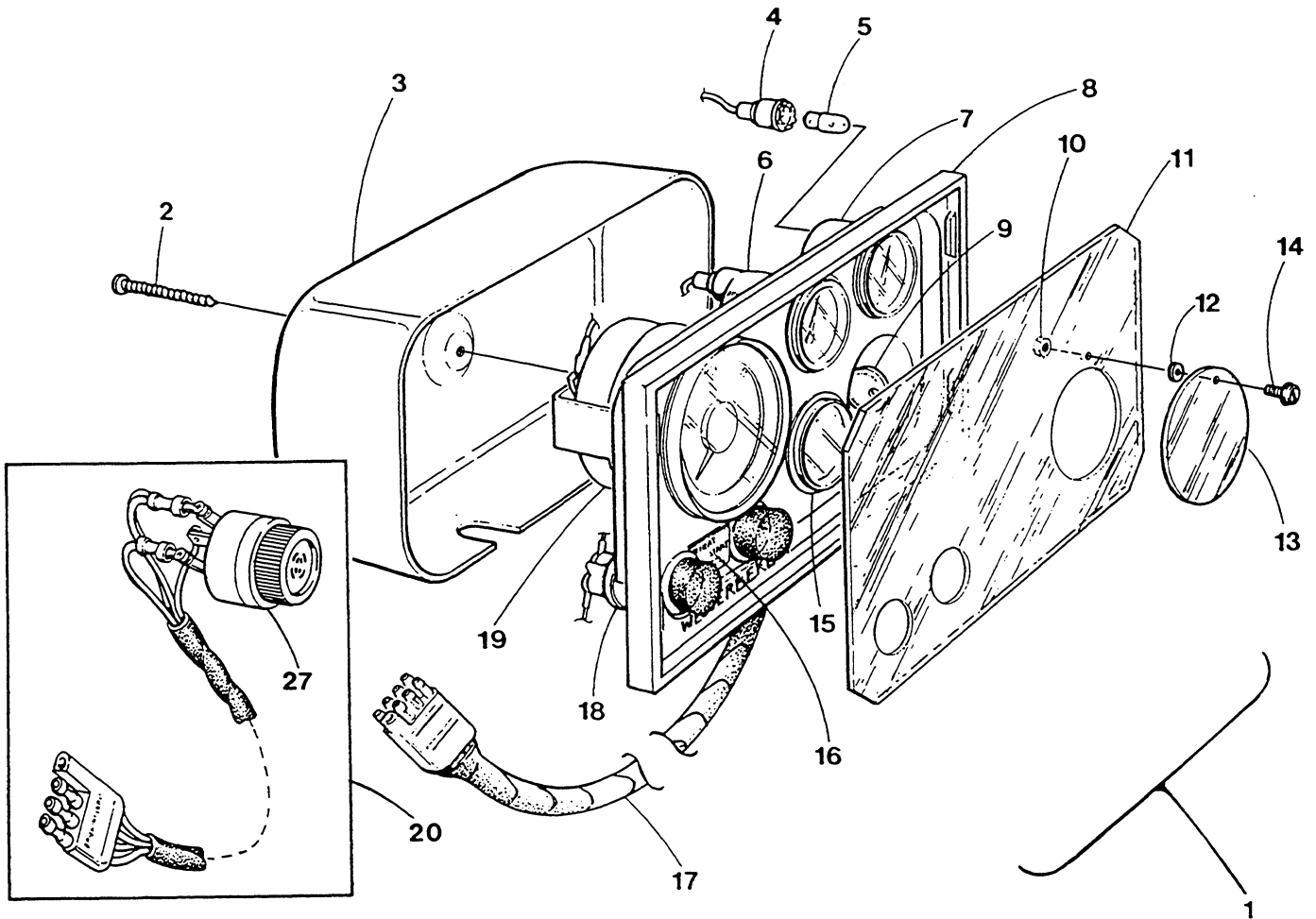
REF	PN	NAME	REMARKS	QUAN
1	039275	PUMP	FUEL LIFT 12 VDC	1
2-1	030125	SWITCH	WATER TEMPERATURE-PROPULSION	1
2-2	039550	SWITCH	WATER TEMPERATURE-GENSET	1
3	037453	BUSHING	1/4NPT TO 1/8NPT-PROPULSION	1
4	035109	SENDER	WATER TEMPERATURE	1
5	031849	LOCKWASHER	10 SS	AR
6	031847	NUT	10-32 HEX SS	AR
7	039790	ALTERNATOR	50 AMP 12 VDC INCLUDING PULLEY	1
8	200120	NUT	1/4NC KEPS	1
9	031086	BOOT		1
10	031904	NUT	10-24 KEPS	3
11	041378	WIRE	GLOWPLUG CONNECTING	1
12-1	024353	GLOWPLUG	12 VDC	4
12-2	034467	GLOWPLUG	24 VDC	4
13	021722	SPACER	BRACKET TO CYLINDER HEAD	1
14	031789	WASHER	M10 DIN 125	1
15	031866	SCREW	8-32 X 7/8 SS	2
16	031844	LOCKWASHER	8 SS	4
17	031502	CAPSCREW	1/4NC X 5/8	2
18	031861	SCREW	8-32 X 1/4 SS	2
19-1	024683	BREAKER	CIRCUIT 20 AMP 12 VDC	1
19-2	020946	BREAKER	CIRCUIT 10 AMP 24 VDC	1
20	031752	LOCKWASHER	1/4	2
21	031750	NUT	1/4NC	2
22	036563	BREAKER	CIRCUIT 10 AMP	1
23	031911	SCREW	8-32 X 1/4 BRASS	2
24	032923	SWITCH	EXHAUST TEMPERATURE-GENSET	1
25	035711	SCREW	6-32 X 1/4 TAPPING	2
26-1	036605	HARNESS	ENGINE-PROPULSION	1
26-2	039205	HARNESS	GENSET INCLUDED IN PANEL HARNESS ASSY	1
27-1	024639	SOLENOID	PREHEAT 12 VDC	1
27-2	022249	SOLENOID	PREHEAT 24 VDC	1
28	031760	NUT	5/16NF	2
29	033704	CAPSCREW	M10 X 1.25 X 16 JIS-FLANGE	1
30	031083	CAPSCREW	M10 X 1.25 X 30 JIS	1
31	019262	LOCKWASHER	M10 DIN 127	1
32	032270	BRACKET	PREHEAT SOLENOID-CIRCUIT BREAKER	1
33	039523	SOLENOID	STARTER MOTOR 38384 12 VDC	1
34	034575	LOCKWASHER	M10 DIN 127B BRONZE	1
35	032438	NUT	M10 DIN 439 BRASS	1
36	041373	WIRE	SOLENOID INCLUDING BOOT	1
37		SOLENOID	FUEL SHUT-OFF REFER TO FUEL PAGE	1
38	037323	SWITCH	OIL PRESSURE	1
39	039806	RESISTOR	ASSEMBLY-PROPULSION	1



WESTERBEKE 71C - 20.0 BEDA - ELECTRICAL SYSTEM

REF	PN	NAME	REMARKS	QUAN
40	024951	CAPSCREW	M10 X 1.25 X 20 DIN 961	2
41	032480	BRACKET	OIL PRESSURE SENDER AND SWITCH	1
42	013340	ELBOW	1/8NPT STREET 90 BRASS	1
43-1	011981	HOSE	OIL	1
43-2	024844	ADAPTER	1/8BSPT TO 1/8NPT-HOSE TO BLOCK	1
44	015122	ELBOW	1/8NPT STREET 45 STEEL	1
45	024132	SENDER	OIL PRESSURE	1
46	031780	LOCKWASHER	M 5 DIN 127	1
47	018241	NUT	M 5 DIN 934	1
48-1	039144	DIAGRAM	WIRING PROPULSION 12 VDC	1
48-2	039422	DIAGRAM	WIRING GENSET 12 VDC	1

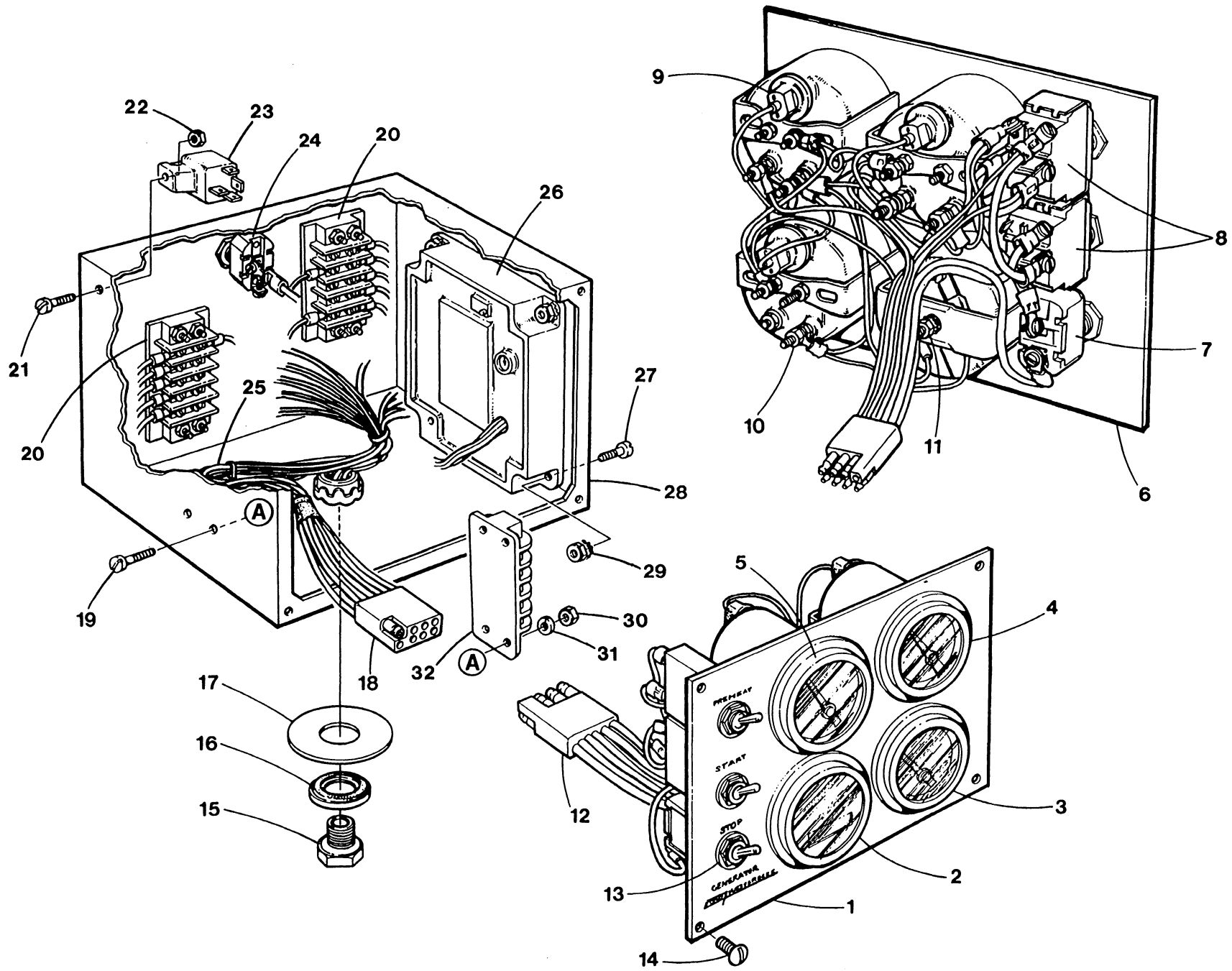
WESTERBEKE 71C FOUR - PROPULSION INSTRUMENT PANELS



WESTERBEKE 71C FOUR - PROPULSION INSTRUMENT PANELS

REF	PN	NAME	REMARKS	QUAN
1	036842	PANEL	ADMIRAL INCLUDING ALARM	1
2	030913	SCREW		1
3	030119	COVER	PANEL REAR	1
4	035118	HOLDER	LAMP WEDGE BASE	3
5	035114	LAMP	INSTRUMENT 12 VDC WEDGE BASE	3
6	037601	METER	WATER TEMPERATURE	1
7	037603	METER	OIL PRESSURE 100 PSI	1
8	033865	PANEL	PLATE	1
9	033693	KEYSWITCH	OFF-ON	1
10	030003	NUT	NYLON LOCKING 6-32	1
11	033684	COVER	FACEPLATE	1
12	030002	SPACER	NYLON	1
13	024996	WINDOW	KEYSWITCH COVER	1
14	030001	SCREW	NYLON 6-32 X 1/2 WASHER HEAD	1
15	037605	VOLTMETER	12 VDC	1
16	033682	DECAL	SWITCH IDENTIFICATION	1
17	030148	CABLE	PANEL TO ENGINE 8 PIN	1
18-1	033764	SWITCH	PUSHBUTTON START/PREHEAT	2
18-2	019031	CAP	SWITCH COVER REPLACEMENT	2
19	011917	METER	TACHOMETER-HOUR	1
20	036829	ALARM	ASSEMBLY	1
21	035825	WIRE	LAMP POWER CONNECTION	3
22	039144	DIAGRAM	WIRING ENGINE 12 VDC	1
23	036473	PANEL	CAPTAIN	1
24	036590	METER	TACHOMETER	1
25	036043	PANEL	PLATE	1
26-1	036479	SWITCH	TEST	1
26-2	036490	CAP	SWITCH	1
27	013355	BUZZER	ALARM	1
28	030946	PLUG	NYLON	1
29-1	024947	LAMP	12 VDC	3
29-2	036483	HOLDER	LAMP	3
30	036626	HARNESS	PANEL TO ENGINE 4 PIN	1
31	036627	HARNESS	PANEL TO ENGINE 8 PIN	1
32	036477	ASSEMBLY	TERMINAL-DIODE	1
33	036544	SPACER	TERMINAL- DIODE ASSEMBLY	2
34	036545	SCREW	6-32 X 3/4 TAPPING SS	2
35	036630	DRAWING	TEMPLATE TO INSTALL EITHER PANEL	1

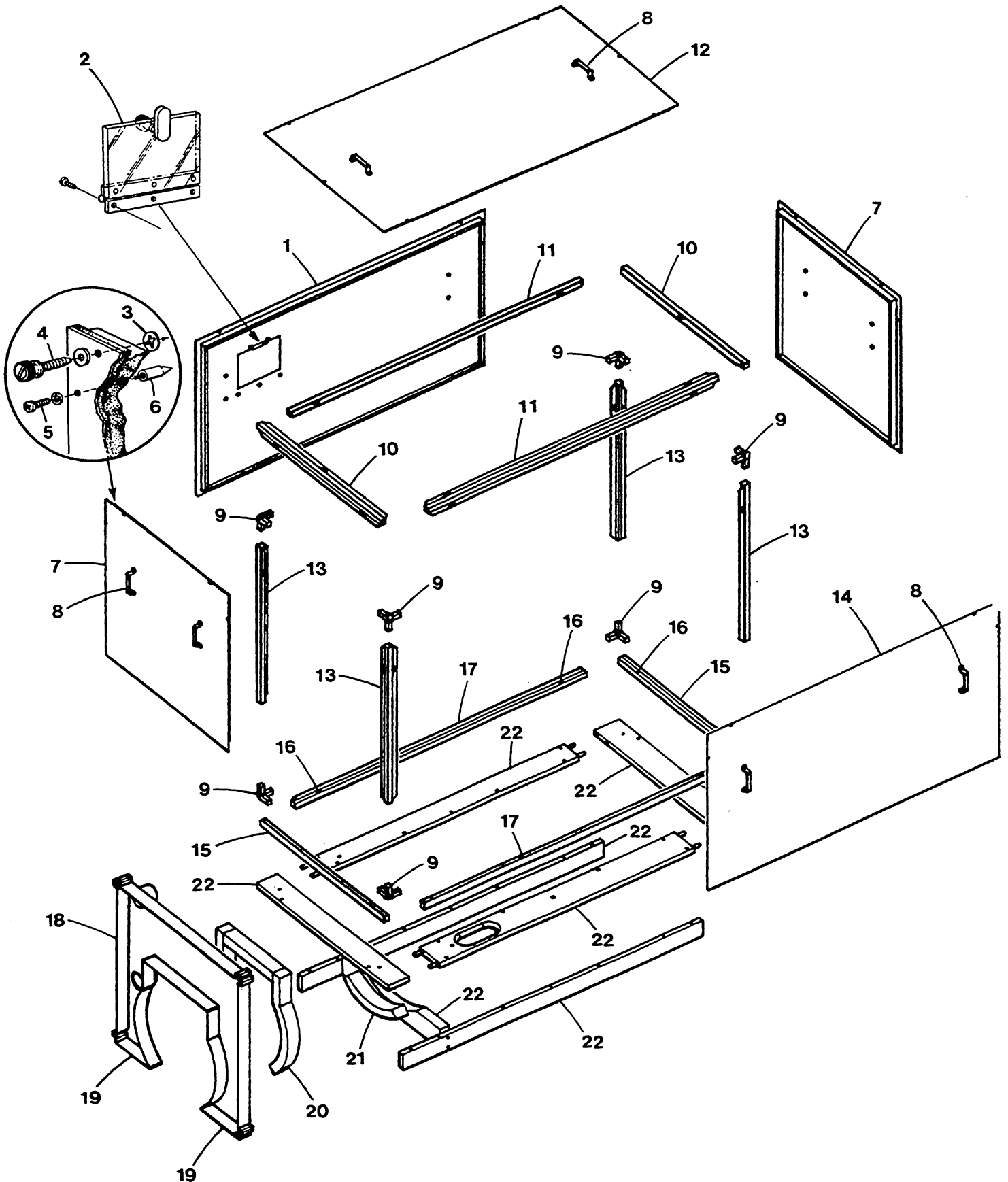




WESTERBEKE 20.0 BEDA - GENERATOR CONTROL PANEL

REF	PN	NAME	REMARKS	QUAN
1	036539	PANEL	GENERATOR CONTROL REF 2 THRU 13	1
2	036192	HOURLMETER		1
3	037605	VOLTMETER	12 VDC	1
4	037603	METER	OIL PRESSURE 100 PSI	1
5	037601	METER	WATER TEMPERATURE	1
6-1	034485	PLATE	PANEL	1
6-2	035303	COVER	BOX WHEN PANEL IS REMOTE MOUNTED	1
7	024731	SWITCH	STOP	1
8	024732	SWITCH	PREHEAT-START	2
9-1	035114	LAMP	INSRTUMENT WEDGE BASE 12 VDC	3
9-2	035118	HOLDER	LAMP WEDGE BASE	3
9-3	035825	WIRE	LAMP POWER CONNECTION	3
10-1	031900	NUT	10-32 BRASS	AR
10-2	031902	LOCKWASHER	10 BRONZE	AR
11-1	031842	NUT	8-32 SS	2
11-2	031844	LOCKWASHER	8 SS	2
12	036538	HARNESS	PANEL	1
13	031999	RING	TOGGLE SWITCH MOUNT LOCKING	3
14	034421	SCREW	8-32 X 3/8 TRUSS HEAD BLACK SS	4
15	036464	NIPPLE	CHASE WITH BUSHING	1
16	036492	RING	SEALING	1
17	036837	WASHER	REDUCER	1
18	039205	HARNESS	ENGINE	1
19	031855	SCREW	6-32 X 5/8 SS BINDING HEAD	12
20-1	039928	BLOCK	TERMINAL 10 POSITION	2
20-2	039929	MARKER	TERMINAL BLOCK	2
20-3	015222	PLATE	SCREW-TERMINAL BLOCK	6
21	031872	SCREW	10-32 X 1/2 SS	1
22	200125	NUT	10-32 KEPS	1
23-1	037833	RELAY	12 VDC	1
23-2	039858	RELAY	24 VDC	1
24-1	033259	SWITCH	EMERGENCY STOP	1
24-2	033258	BOOT	EMERGENCY STOP SWITCH	1
24-3	033251	LABEL	EMERGENCY STOP SWITCH	1
25	036232	HARNESS	PANEL BOX	1
26-1	303008	CONTROLLER	GOVERNOR 12 VDC	1
26-2	039747	CONTROLLER	GOVERNOR 24 VDC	1
27	031872	SCREW	10-32 X 1/2 SS	4
28-1	039424	ASSEMBLY	BOX AND HARNESS	1
28-2	036368	BOX	GENERATOR CONTROL PANEL	1
28-3	040185	COVER	PANEL BOX	1
29	200125	NUT	10-32 KEPS	4
30	050234	NUT	6-32 KEPS	12
32-1	050201	BLOCK	TERMINAL	1
32-2	050374	MARKER	TERMINAL BLOCK	1
33	024968	DECAL	GENSET OPERATING INSTRUCTIONS	1

WESTERBEKE 20.0 BEDA - GENERATOR SOUND GUARD



WESTERBEKE 20.0 BEDA - GENERATOR SOUND GUARD

REF	PN	NAME	REMARKS	QUAN
1		PANEL	SIDE WITH WINDOW	1
2	037417	WINDOW	ASSEMBLY	1
3	030896	RETAINER	QUICK OPENING SCREW	AR
4	030895	SCREW	QUICK OPENING	AR
5	031940	SCREW	6-32 X 3/8 SEMS PHIL HEAD	AR
6	030775	GUIDE	PANEL ALIGNMENT	AR
7		PANEL	FRONT AND REAR	2
8-1	035720	HANDLE		10
8-2	031937	SCREW	8-32 X 3/8 SEMS PHIL HEAD	20
9	024057	CORNER		8
10	039364	RAIL	END	2
11	039361	RAIL	SIDE	2
12		PANEL	TOP	1
13	039365	POST	CORNER	4
14		PANEL	SIDE	1
15	038969	SKIRT	END	2
16-1	039470	SCREW	10-32 X 1-3/4 SS	8
16-2	031848	WASHER	10 FLAT SS	8
16-3	031907	NUT	10-32 STOP SS	8
17	038968	SKIRT	SIDE	2
18	039356	AIR DAM		1
19-1	039471	SCREW	8 X 1/2 WOOD ROUND HEAD	2
19-2	031843	WASHER	8 FLAT SS	2
20	039408	FOAM	UPPER AIR SEAL - INCHES REQUIRED	48
21	039408	FOAM	LOWER AIR SEAL - INCHES REQUIRED	12
22		BASE	ASSEMBLY	1
23	039425	SCREW	8 X 1-3/4 WOOD FLAT HEAD SS	10
24	039426	SCREW	14 X 4 WOOD FLAT HEAD SS	8
25	030902	HOSE	2-1/2" ID AIR INTAKE - INCHES REQUIRED	25
26	022559	CLAMP	HOSE 40	2

WESTERBEKE 71C - 20.0 BEDA - MISCELLANEOUS

REF	PN	NAME	REMARKS	QUAN
1-1	041390	KIT A	SPARE PARTS PROPULSION	1
1-2	041396	KIT A	SPARE PARTS GENSET	1
2-1	041391	KIT B	SPARE PARTS EXTENDED CRUISING PROPULSION	1
2-2	041397	KIT B	SPARE PARTS EXTENDED CRUISING GENSET	1
3	041392	GASKET SET	UPPER	1
4	041393	GASKET SET	COMPLETE	1
5	032974	FILTER	PRIMARY FUEL SEPARATOR	1
6	015010	STRAINER	SEA WATER	1
7	033327	VALVE	ANTI-SIPHON	1
8	013758	PAINT	RED AEROSOL SPRAY CAN	1
9	020654	SPLITTER	ALTERNATOR OUTPUT	1
10-1	030760	HARNESS	15 FOOT PANEL EXTENSION 8 PIN	1
10-2	036557	HARNESS	15 FOOT PANEL EXTENSION 4 PIN	1
11	032973	FILTER KIT	REMOTE LUBE OIL	1
12-1	032010	SWITCH	GENERATOR SHIP-SHORE 3 WIRE 60HZ	1
12-2	032133	SWITCH	GENERATOR SHIP-SHORE 2 WIRE 60HZ	1
13	041394	KIT	FUEL HARDWARE	1
14-1	038922	MANUAL	OPERATOR 63B-71B-82B-108B-63C-71C-108C	1
14-2	039685	MANUAL	OPERATOR 20.0-25.0 BED	1
15		MANUAL	TECHNICAL	1
16	037306	MUFFLER	HYDRO-HUSH FIBERGLASS	1
17	024177	KIT	REMOTE FRESH WATER SURGE TANK	1

PART NO	PAGE	REF	PART NO	PAGE	REF	PART NO	PAGE	REF
011357	123	9	013810	123	8-1	019262	111	57
011371	123	7-1	013870	133	64	019262	115	38
011405	119	13	013870	139	19	019262	121	4
011405	123	1	013870	141	25	019262	123	15
011405	139	6	013919	139	29	019262	131	14
011405	141	6	014464	131	25	019262	135	88
011411	141	2	014774	127	5	019262	135	112
011419	127	12	015010	164	6	019262	137	6
011471	119	23	015122	157	44	019262	137	10
011471	141	9	015222	161	20-3	019262	137	18
011505	113	8	015238	143	10	019262	137	20
011618	137	37	015239	143	26	019262	137	22
011630	141	14-1	015289	131	38	019262	137	25
011631	141	14-2	015812	131	1	019262	137	35
011632	141	14-4	015812	147	44	019262	139	12
011632	141	14-5	015812	151	15	019262	143	2
011634	141	14-6	015828	101	16	019262	143	22
011779	119	14	015828	103	34	019262	145	4
011779	123	2	015830	109	2	019262	145	7
011779	139	5	015830	119	29	019262	145	16
011779	141	7	015830	135	83	019262	145	18
011885	119	20	015831	103	17	019262	145	24
011907	127	11	015831	119	4	019262	147	37
011917	159	19	015887	121	5	019262	155	31
011921	141	11	015887	131	13	019321	119	33
011961	141	32- 8	015887	135	87	019364	133	63-1
011962	141	32- 9	015887	137	9	019369	119	22
011963	141	32-10	015887	147	53	019369	127	23
011964	141	32-11	017012	135	100	019369	135	96-1
011981	157	43-1	017196	117	31	020650	139	23
013057	141	5	017196	139	9	020654	164	9
013325	133	66	017298	111	37	020946	155	19-2
013325	139	20	018142	127	19	021722	155	13
013325	141	24	018143	127	14	022114	141	12-1
013330	141	3	018144	127	21	022205	103	24
013330	141	10	018145	127	6	022205	117	36
013338	141	4	018146	127	22	022249	155	27-2
013340	131	9	018147	127	2	022392	123	10
013340	157	42	018148	127	17	022392	127	20
013343	131	33-3	018149	127	16	022513	131	3
013344	131	33-2	018151	127	9	022559	163	26
013348	141	13-1	018152	127	10	022850	119	34
013348	141	13-2	018153	127	13	022851	119	32
013355	159	27	018154	127	7	022852	119	35
013590	131	6	018164	127	18	023467	141	17
013619	105	8	018180	127	4	023567	141	12-2
013619	119	28	018241	157	47	023609	141	32-12
013619	125	36	018242	117	13	023652	139	15
013629	131	11-1	018242	117	40	023652	141	33-1
013629	135	90	018242	119	1	023653	141	33-2
013629	145	17	018242	119	30	023706	139	13-1
013629	147	38	018242	135	92	023706	141	32- 1
013630	117	18	018242	137	4	023707	139	13-2
013630	117	38	018242	151	18	023707	141	32- 2
013630	129	20	018804	151	2	023708	139	13-3
013631	145	3	018813	139	1	023708	141	32- 3
013741	123	3	019031	159	18-2	023709	139	13-4
013758	164	8	019039	137	33	023709	141	32- 4

PART NO	PAGE	REF	PART NO	PAGE	REF	PART NO	PAGE	REF
023710	139	13-5	024690	117	24	030966	107	27
023710	141	32- 5	024701	143	9	030985	103	4
023711	139	13-6	024704	117	3	031014	107	35
023711	141	32- 6	024731	161	7	031015	107	36
023712	139	13-7	024732	161	8	031015	135	81
023712	141	32- 7	024778	137	38	031021	131	17
024057	163	9	024786	117	4	031037	125	28-1
024132	157	45	024844	157	43-2	031037	129	19
024177	164	17	024858	117	2	031083	111	58
024306	117	8	024903	115	23	031083	123	14
024353	155	12-1	024905	111	55	031083	137	5
024363	133	46	024906	117	6	031083	137	26
024373	101	2	024906	133	40	031083	143	4
024373	103	38	024907	117	7	031083	143	23
024374	101	6	024922	111	59	031083	155	30
024374	103	16	024947	159	29-1	031086	155	9
024374	103	35	024950	139	11	031110	125	28-2
024378	103	36	024951	135	111	031152	123	8-2
024379	101	5	024951	157	40	031154	137	7
024393	101	9	024953	135	86	031154	147	54
024398	109	13	024953	137	17	031223	137	12
024398	133	72	024953	143	3	031223	145	10
024399	109	14	024953	145	15	031228	139	14
024399	133	71	024968	161	33	031281	101	10
024413	129	17	024972	133	51-2	031281	101	11
024414	129	13	024972	133	56-2	031502	155	17
024426	107	22	024977	117	1	031505	119	19
024431	107	3	024983	123	27	031506	135	108
024436	107	10	024996	159	13	031555	123	21
024437	107	5	030001	159	14	031557	143	27
024443	107	31	030002	159	12	031559	143	16
024445	107	40	030003	159	10	031624	123	17-2
024446	107	39	030025	131	10	031631	123	11
024454	131	24	030025	131	39	031655	141	31
024461	133	59	030119	159	3	031656	139	27
024470	115	9	030125	117	21-1	031665	141	16
024470	115	26	030125	155	2-1	031717	143	5
024477	129	16	030131	103	22	031718	143	28
024479	129	12	030139	133	49	031724	123	17-1
024484	105	3-1	030139	133	56-1	031750	135	110-2
024485	105	3-2	030146	145	28	031750	155	21
024486	105	3-3	030148	159	17	031752	119	18
024487	105	3-4	030168	125	30	031752	135	109
024492	105	23-1	030290	133	47	031752	139	26
024493	105	23-2	030290	135	98	031752	141	21
024498	111	33	030291	111	63	031752	155	20
024498	133	55-2	030291	133	51-1	031752	119	17
024501	133	55-1	030548	135	106	031753	135	110-1
024568	129	14	030711	101	8	031754	139	25
024600	131	33-1	030711	103	23	031754	141	20
024634	131	37-1	030760	164	10-1	031758	123	22
024637	117	5	030775	163	6	031760	155	28
024639	155	27-1	030848	111	60	031764	123	12-1
024672	103	26	030895	163	4	031764	123	18-2
024672	117	35	030896	163	3	031765	123	12-2
024673	133	63-2	030902	163	25	031768	141	19
024674	143	8	030913	159	2	031768	141	29
024683	155	19-1	030946	159	28	031770	139	28

PART NO	PAGE	REF	PART NO	PAGE	REF	PART NO	PAGE	REF
031770	141	15	031842	161	11-1	032566	139	4-3
031770	141	18	031843	163	19-2	032633	103	11
031770	141	30	031844	155	16	032634	103	13
031774	143	13	031844	161	11-2	032635	101	13
031776	123	18-1	031847	133	61	032635	103	12
031776	143	12	031847	133	68	032638	103	5
031777	143	6	031847	139	16	032639	103	6
031780	113	4	031847	141	27	032640	103	10
031780	131	32-4	031847	151	10	032642	101	15
031780	157	46	031847	155	6	032643	101	14
031783	131	7	031848	163	16-2	032644	111	26
031783	135	101	031849	133	62	032645	111	36
031783	145	29	031849	133	67	032653	111	22
031783	147	45	031849	139	17	032654	111	21
031783	149	5	031849	141	26	032655	111	23
031783	151	16	031849	151	11	032658	105	7
031784	131	8	031849	153	2	032659	105	5
031784	145	30	031849	155	5	032662	105	9
031784	149	6	031855	161	19	032663	105	10
031786	105	25	031861	155	18	032669	107	19
031786	117	14	031866	155	15	032670	107	21
031786	117	19	031871	151	13	032671	107	23
031786	117	30	031872	161	21	032672	107	17
031786	119	2	031872	161	27	032675	107	6
031786	119	27	031873	133	65	032676	107	2
031786	123	26	031873	139	21	032677	107	14
031786	125	35	031873	141	23	032678	107	11
031786	129	21	031875	151	5	032679	107	13
031786	135	93	031900	161	10-1	032680	107	12
031786	137	3	031902	161	10-2	032681	107	15
031786	139	10	031904	155	10	032682	107	9
031786	139	22	031907	163	16-3	032683	107	26
031786	151	17	031911	155	23	032684	107	30
031787	105	26	031914	147	48	032685	107	37
031787	117	15	031915	145	33	032688	131	28
031787	117	20	031917	149	9	032689	131	29
031787	117	29	031918	149	2	032690	131	30
031787	119	3	031931	147	49	032691	131	31
031787	119	26	031935	117	10	032692	135	79
031787	125	34	031937	163	8-2	032693	135	84
031789	111	56	031940	163	5	032694	135	82
031789	115	39	031999	161	13	032695	135	80
031789	135	89	032010	164	12-1	032697	133	52
031789	137	19	032133	164	12-2	032702	115	10
031789	145	5	032161	139	18	032705	115	19
031789	145	8	032183	127	3	032706	117	28
031789	145	19	032183	127	15	032707	117	27
031789	147	36	032256	137	1-1	032708	129	1
031789	155	14	032258	137	27-1	032709	129	2
031790	139	2	032269	133	69	032710	129	3
031792	135	103	032270	155	32	032711	129	8
031792	137	29	032315	141	28	032713	129	18
031792	143	18	032384	107	7	032714	115	20
031795	137	28	032438	155	35	032716	111	25
031795	143	17	032480	157	41	032724	115	37
031797	137	11	032506	137	2	032727	115	22
031797	145	9	032564	139	4-1	032728	115	21
031801	151	4	032565	139	4-2	032730	115	24



PART NO	PAGE	REF	PART NO	PAGE	REF	PART NO	PAGE	REF
032731	115	29	033642	115	40	034467	155	12-2
032733	115	30	033642	129	9	034470	137	21
032734	115	31	033642	133	50	034470	145	6
032735	115	32	033643	105	19	034485	161	6-1
032736	115	33	033643	109	8	034575	155	34
032740	103	7	033643	133	75	034589	137	36
032741	103	8	033645	103	1	034713	143	29
032745	131	16	033645	115	36	034833	137	23
032746	131	36	033646	103	27	035027	133	48
032804	101	12	033647	107	32	035109	103	25
032810	107	29	033647	111	30	035109	117	34
032861	115	28	033648	109	19	035109	155	4
032862	115	27	033648	129	6	035114	159	5
032865	131	35	033648	133	77	035114	161	9-1
032875	111	38	033649	109	9	035118	159	4
032903	105	17	033651	103	21	035118	161	9-2
032904	133	58	033653	103	28	035271	143	25
032905	111	32	033653	135	107	035303	161	6-2
032907	115	12	033654	109	5	035411	117	9
032909	107	1	033654	111	48	035711	155	25
032916	137	31	033654	113	10	035720	163	8-1
032916	143	20	033654	115	13	035747	119	7
032923	155	24	033656	101	3	035825	159	21
032973	164	11	033656	111	35	035825	161	9-3
032974	164	5	033657	101	20	035827	135	96-2
033059	131	34	033658	107	4	035949	135	99
033064	123	25	033659	107	16	035950	135	97
033096	131	37-3	033660	107	20	036043	159	25
033097	131	37-2	033661	103	14	036138	137	16
033228	153	1	033661	107	8	036138	145	14
033241	131	2	033662	107	34	036192	161	2
033251	161	24-3	033668	109	11	036206	137	15
033258	161	24-2	033668	109	12	036206	145	13
033259	161	24-1	033668	113	9	036211	111	42
033327	164	7	033668	115	25	036232	161	25
033329	127	24	033668	133	57	036368	161	28-2
033347	135	104	033668	133	74	036457	125	31-2
033372	153	3	033672	115	42	036464	147	40
033373	117	23	033673	115	41	036464	161	15
033377	135	85	033676	109	4	036473	159	23
033380	153	5	033677	109	6	036477	159	32
033380	153	7	033678	109	15	036479	159	26-1
033381	117	39	033678	133	70	036483	159	29-2
033381	123	23	033679	111	43	036490	159	26-2
033482	139	24	033682	159	16	036492	147	41
033482	141	22	033684	159	11	036492	161	16
033530	143	7	033693	159	9	036493	111	62
033622	115	7	033704	155	29	036538	161	12
033623	103	37	033709	129	11	036539	161	1
033625	103	19	033713	123	24	036544	159	33
033626	111	31	033715	107	33	036545	159	34
033639	111	28	033721	135	102	036557	164	10-2
033639	111	65	033764	159	18-1	036563	155	22
033640	109	18	033792	135	105	036590	159	24
033641	103	3	033865	159	8	036605	155	26-1
033641	107	38	034119	101	17	036614	119	10
033642	111	27	034172	103	9	036614	119	25
033642	113	3	034421	161	14	036614	121	8

PART NO	PAGE	REF	PART NO	PAGE	REF	PART NO	PAGE	REF
036614	123	4	038296	145	11	039356	163	18
036614	123	5-2	038300	119	31	039361	163	11
036614	139	8	038376	137	32	039364	163	10
036614	141	8	038384	137	24	039365	163	13
036622	123	5-1	038384	145	1	039390	151	14
036622	139	30	038392	137	14-2	039408	163	20
036626	159	30	038392	145	12-2	039408	163	21
036627	159	31	038395	145	12-1	039422	157	48-2
036630	159	35	038435	123	13	039424	161	28-1
036650	141	1	038440	125	29-2	039425	163	23
036652	147	46	038442	139	3	039426	163	24
036730	147	42	038445	123	6	039470	151	8
036737	149	3	038445	127	1	039470	163	16-1
036821	111	61	038471	149	11-2	039471	163	19-1
036829	159	20	038578	137	34-1	039523	145	2
036837	161	17	038682	143	1	039523	155	33
036842	159	1	038684	143	21	039550	117	21-2
036849	119	11	038698	143	14	039550	155	2-2
037208	107	28	038760	119	12	039628	121	1
037297	141	14-3	038786	105	11	039630	145	32-1
037305	117	16	038786	125	33	039632	149	12-1
037305	119	6	038792	123	20-2	039633	149	12-2
037306	164	16	038793	123	20-4	039634	149	12-3
037323	155	38	038794	123	20-5	039636	145	26-1
037347	121	3	038862	121	10	039637	145	23
037393	111	64	038865	123	7-2	039638	145	27
037417	163	2	038891	123	20-3	039639	145	31
037453	155	3	038892	123	20-6	039640	149	10
037601	159	6	038898	131	12	039642	145	32-3
037601	161	5	038909	113	5	039665	145	32-2
037603	159	7	038910	131	32-1	039666	147	47
037603	161	4	038911	131	32-2	039667	149	11-1
037605	159	15	038914	131	32-3	039668	145	22
037605	161	3	038922	164	14-1	039669	145	35
037622	117	22	038968	163	17	039685	164	14-2
037629	117	37	038969	163	15	039686	149	13-2
037641	113	6	038985	149	1	039697	149	14-2
037745	117	17	039016	121	7	039746	151	1-2
037745	119	5	039074	147	39	039747	161	26-2
037747	117	11	039076	119	24	039784	145	26-2
037747	119	15	039079	153	4	039785	145	21
037782	113	7-1	039089	137	14-1	039790	123	20-1
037783	113	7-2	039144	157	48-1	039790	155	7
037792	143	11	039144	159	22	039806	155	39
037821	121	2	039152	149	14-1	039858	161	23-2
037821	137	13	039161	151	3	039867	127	8
037821	147	52	039172	147	50	039868	145	32-4
037827	153	6	039181	125	31-1	039869	145	20
037833	161	23-1	039205	155	26-2	039870	145	32-5
038027	117	32	039205	161	18	039871	145	34
038027	119	21	039218	131	11-2	039872	149	7
038153	119	9	039274	143	24	039873	145	32-6
038153	121	6	039275	131	5	039874	149	4
038193	117	12	039275	155	1	039875	149	8
038193	119	16	039306	149	13-1	039928	161	20-1
038221	119	8	039318	145	25	039929	161	20-2
038221	121	9	039323	141	32-13	039949	117	33
038296	137	8	039354	125	29-1	040036	139	7

PART NO	PAGE	REF	PART NO	PAGE	REF	PART NO	PAGE	REF
040151	103	2	041367	131	18	303012	151	7
040154	115	34	041368	131	23			
040185	161	28-3	041370	133	60			
040190	105	12	041372	133	53-1			
040190	125	32	041373	155	36			
040193	123	19-1	041376	129	7			
040237	103	30	041378	155	11			
040238	107	42	041379	101	4			
040251	103	18	041380	105	24-1			
040254	101	7	041381	105	24-2			
040281	109	10	041382	105	24-3			
040298	105	20	041383	105	24-4			
040299	105	13	041384	105	2			
040300	105	21	041385	105	1			
040301	105	14	041386	131	15			
040302	105	15	041387	133	42			
040304	105	22	041388	133	41			
040307	107	18	041389	111	39			
040350	115	8	041390	164	1-1			
040351	115	11	041391	164	2-1			
040352	115	15	041392	164	3			
040353	115	16	041393	164	4			
040354	115	4	041394	164	13			
040355	115	6	041395	101	1			
040356	115	1	041396	164	1-2			
040357	111	46	041397	164	2-2			
040358	111	47	041424	115	3			
040364	129	5	041424	115	14			
040400	123	16-1	041425	115	2			
040512	137	39	041426	115	5			
040514	151	12	041430	115	18			
040544	137	30	041431	115	17			
040544	143	19	041433	111	45			
040952	129	22	041434	111	24			
040955	151	9	041436	101	19			
040956	131	4	041470	109	17			
040966	137	40	041499	133	53-2			
041029	123	16-2	041523	103	29			
041345	103	20	041523	117	25			
041346	103	33	041570	103	32			
041348	103	31	041593	111	40			
041349	111	34	041711	137	1-2			
041350	111	20	041713	137	27-2			
041351	111	44	041719	137	34-2			
041353	109	3	042063	133	43			
041354	109	1	042089	147	55			
041355	109	16	042112	133	53-3			
041356	109	7	042113	133	53-4			
041357	105	4	050201	161	32-1			
041358	105	6	050234	161	30			
041359	105	18	050374	161	32-2			
041360	105	16	200120	155	8			
041361	107	24	200125	161	22			
041362	107	25	200125	161	29			
041363	107	41	200127	143	15			
041364	113	2	303007	151	1-1			
041365	113	1	303008	161	26-1			
041366	133	44	303009	151	6			